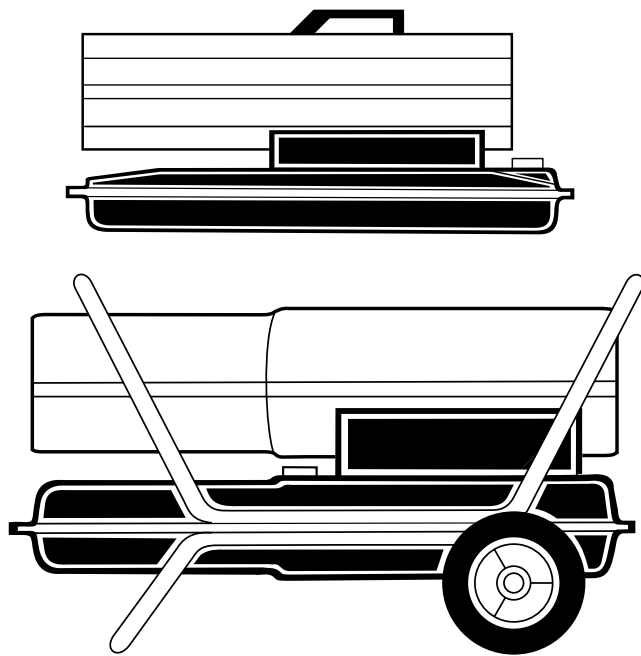


# MASTER<sup>®</sup>

## PORTABLE FORCED AIR HEATERS

### OWNER'S MANUAL



**Heater Sizes: 35,000 70,000 100,000 150,000 Btu/Hr**  
**Models: B35CEA, B70CEA, B100CEA, and B150CEA**

**IMPORTANT:** Read and understand this manual before assembling, starting or servicing heater. Improper use of heater can cause serious injury. Keep this manual for future reference.


# MASTER<sup>®</sup>

## PORTABLE FORCED AIR HEATERS

### SAFETY INFORMATION

#### WARNINGS

**IMPORTANT: Read this Owner's Manual carefully and completely before trying to assemble, operate, or service this heater. Improper use of this heater can cause serious injury or death from burns, fire, explosion, electrical shock, and carbon monoxide poisoning.**

** DANGER: Carbon monoxide poisoning may lead to death!**

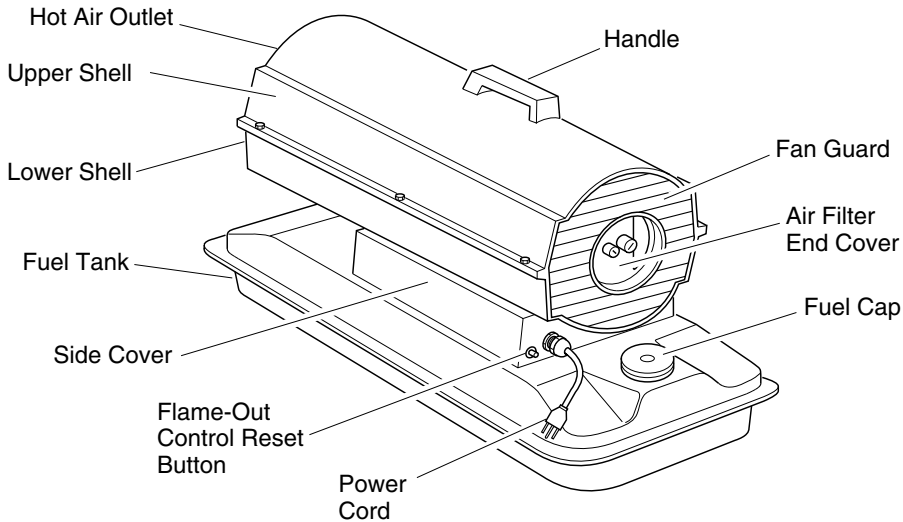
**Carbon Monoxide Poisoning:** Early signs of carbon monoxide poisoning resemble the flu, with headaches, dizziness, and/or nausea. If you have these signs, the heater may not be working properly. **Get fresh air at once!** Have heater serviced. Some people are more affected by carbon monoxide than others. These include pregnant women, persons with heart or lung disease or anemia, those under the influence of alcohol, and those at high altitudes.

Make certain you read and understand all Warnings. Keep this manual for reference. It is your guide to safe and proper operation of this heater.

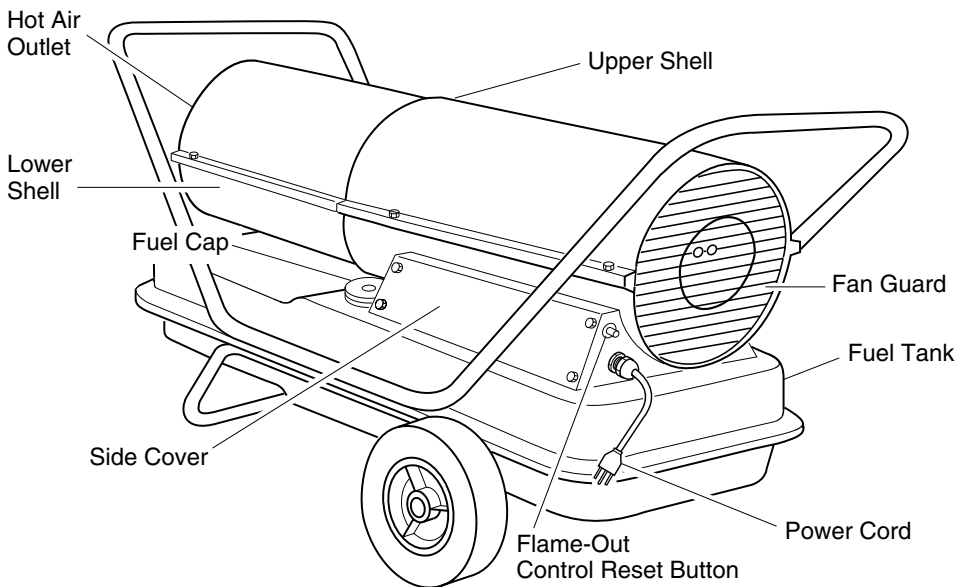
- Use only kerosene or No. 1 fuel oil to avoid risk of fire or explosion. Never use gasoline, naphtha, paint thinners, alcohol, or other highly flammable fuels.
- Fueling
  - a) Personnel involved with fueling shall be qualified and thoroughly familiar with the manufacturer's instructions and applicable regulations regarding the safe fueling of heating units.
  - b) Only the type of fuel specified on the heater's data plate shall be used.
  - c) All flame, including the pilot light, if any, shall be extinguished and the heater allowed to cool, prior to fueling.
  - d) During fueling, all fuel lines and fuel-line connections shall be inspected for leaks. Any leaks shall be repaired prior to returning the heater to service.
  - e) At no time shall more than one day's supply of heater fuel be stored inside a building in the vicinity of the heater. Bulk fuel storage shall be outside the structure.
  - f) All fuel storage shall be located a minimum of 762cm (25 feet) from heaters, torches, welding equipment, and similar sources of ignition (exception: the fuel reservoir integral with the heater unit).
  - g) Whenever possible, fuel storage shall be confined to areas where floor penetrations do not permit fuel to drip onto or be ignited by a fire at lower elevation.
  - h) Fuel storage shall be in accordance with the authority having jurisdiction.
- Never use heater where gasoline, paint thinner, or other highly flammable vapors are present.
- Follow all local ordinances and codes when using heater.
- Heaters used in the vicinity of tarpaulins, canvas, or similar enclosure materials shall be located a safe distance from such materials. The recommended minimum safe distance is 304.8cm (10 feet). It is further recommended that these enclosure materials be of a fire retardant nature. These enclosure materials shall be securely fastened to prevent them from igniting or from upsetting the heater due to wind action.
- Use only in well-vented areas. Before using heater, provide at least a 2800 square cm (three-square-foot) opening of fresh, outside air for each 100,000 Btu/Hr of rating.
- Use only in places free of flammable vapors or high dust content.
- Use only the electrical voltage and frequency specified on model plate.
- Use only a three-prong, grounded extension cord.
- Minimum heater clearances from combustibles:
  - Outlet: 250 cm (8 Ft.)
  - Sides, Top, and Rear: 125 cm (4 Ft.)
- Locate heater on a stable and level surface if heater is hot or running or a fire may occur.
- When moving or storing heater, keep heater in a level position or fuel spillage may occur.
- Keep children and animals away from heater.
- Unplug heater when not in use.
- When used with thermostat, heater may start anytime.
- Never use heater in living or sleeping areas.
- Never block air inlet (rear) or air outlet (front) of heater.
- Never move, handle, refuel, or service a hot, operating, or plugged-in heater.
- Never attach duct work to front or rear of heater. Using duct work could reduce the necessary air flow of heater. Heater would produce excessive carbon monoxide.

# OWNER'S MANUAL

## PRODUCT IDENTIFICATION



**Figure 1 - 35/70,000 Btu/Hr Models**



**Figure 2 - 100/150,000 Btu/Hr Models**

## UNPACKING

1. Remove all packing items applied to heater for shipment.
2. Remove all items from carton.
3. Check items for any shipping damage. If heater is damaged, promptly inform dealer where you bought heater.

# MASTER

## PORTABLE FORCED AIR HEATERS

### ASSEMBLY

#### (FOR 100,000 AND 150,000 BTU/HR MODELS ONLY)

These models are furnished with wheels and handles. Wheels, handles, and the mounting hardware are found in the shipping carton.

#### Tools Needed

- Medium Phillips Screwdriver
- 3/8" Open or Adjustable Wrench
- Hammer

1. Slide axle through wheel support frame. Install wheels on axle.

**IMPORTANT:** When installing wheels, point extended hub of wheels toward wheel support frame (see Figure 3).

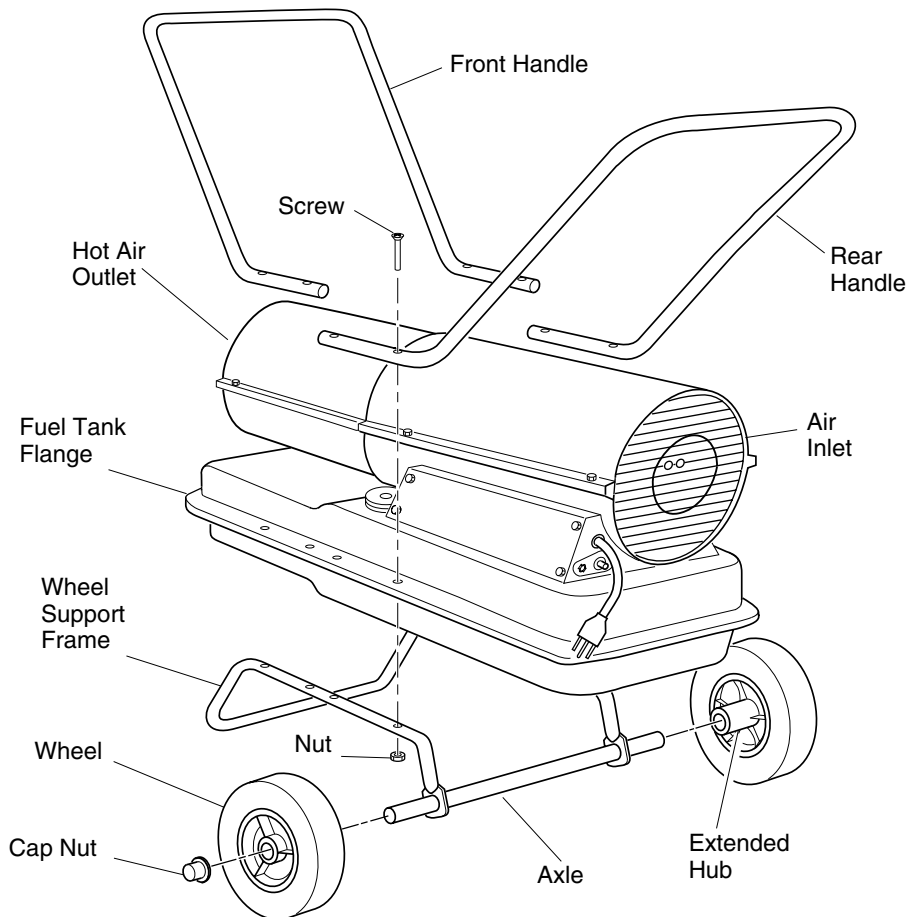


Figure 3 - Wheel and Handle Assembly, 100/150,000 Btu/Hr Models Only

2. Place cap nuts on axle ends. Gently tap with hammer to secure.
3. Place heater on wheel support frame. Make sure air inlet end (rear) of heater is over wheels. Line up holes on fuel tank flange with holes on wheel support frame.
4. Place front handle and rear handle on top of fuel tank flange. Insert screws through handles, fuel tank flange, and wheel support frame. Attach nut finger tight after each screw is inserted.
5. After all screws are inserted, tighten nuts firmly.

### FUELS

**WARNING:** Use only kerosene or No. 1 fuel oil to avoid risk of fire or explosion. Never use gasoline, naphtha, paint thinners, alcohol or other highly flammable fuels.

Do not use heavy fuels such as No. 2 fuel oil or No. 2 Diesel. Using heavy fuels will result in:

- clogged fuel filter and nozzle
- carbon build up on spark plug
- use of non-toxic anti-icer in fuel during very cold weather

**IMPORTANT:** Use a KEROSENE ONLY container. Be sure storage container is clean. Foreign matter such as rust, dirt, or water will cause the flame-out control to shut down heater. Foreign matter may also require you to clean fuel system often.

### VENTILATION

**WARNING:** Follow the minimum fresh, outside air ventilation requirements. If proper fresh, outside air ventilation is not provided, carbon monoxide poisoning can occur. Provide proper fresh, outside air ventilation before running heater.

Provide a fresh air opening of at least 2800 square cm (three square feet) for each 100,000 Btu/Hr rating. Provide extra fresh air if more heaters are being used.

**Example:** A 150,000 Btu/Hr heater requires one of the following:

- a 4.88 m (16 foot) wide two-car garage door raised 8.59 cm (3.38 inches)
- a 2.75 m (9 foot) wide single-car garage door raised 15.24 cm (six inches)
- two, 76.2 cm (thirty-inch) windows raised 30.48 cm (twelve inches)

# OWNER'S MANUAL

## THEORY OF OPERATION

**The Fuel System:** The air pump forces air through the air line. The air is then pushed through the burner head nozzle. This air causes fuel to lift from the tank. A fine mist of fuel is sprayed into the combustion chamber.

**The Air System:** The motor turns the fan. The fan pushes air into and around the combustion chamber. This air is heated and provides a stream of clean, hot air.

**The Ignition System:** The electronic ignitor sends voltage to the spark plug. The spark plug ignites the fuel and air mixture.

**The Flame-Out Control System:** This system causes the heater to shut down if the flame goes out.

## OPERATION

**⚠ WARNING:** Review and understand the warnings in the Safety Information Section. They are needed to safely operate this heater. Follow all local codes when using this heater.

### To Start Heater

1. Follow all ventilation and safety information.
2. Fill fuel tank with kerosene or No. 1 fuel oil.
3. Attach fuel cap.
4. Plug power cord of heater into standard 230 volt/50 hertz, grounded (earthed) outlet. Use an extension cord if needed. Use only a three-prong, grounded (earthed) extension cord.

### Extension Cord Wire Size Requirements

Up to 30.5 meters (100 feet) long, use 1.0 mm<sup>2</sup> (16 AWG) conductor 30.6 to 61 meters (101 to 200 feet) long, use 1.5 mm<sup>2</sup> (14 AWG) conductor

Heater will start when power cord is plugged into outlet. If not, push in flame-out control reset button (see Figures 5 and 6).

### To Stop Heater

1. Unplug power cord from outlet.

### To Restart Heater

1. Wait 2 minutes after stopping heater.
2. Repeat steps under *To Start Heater*.

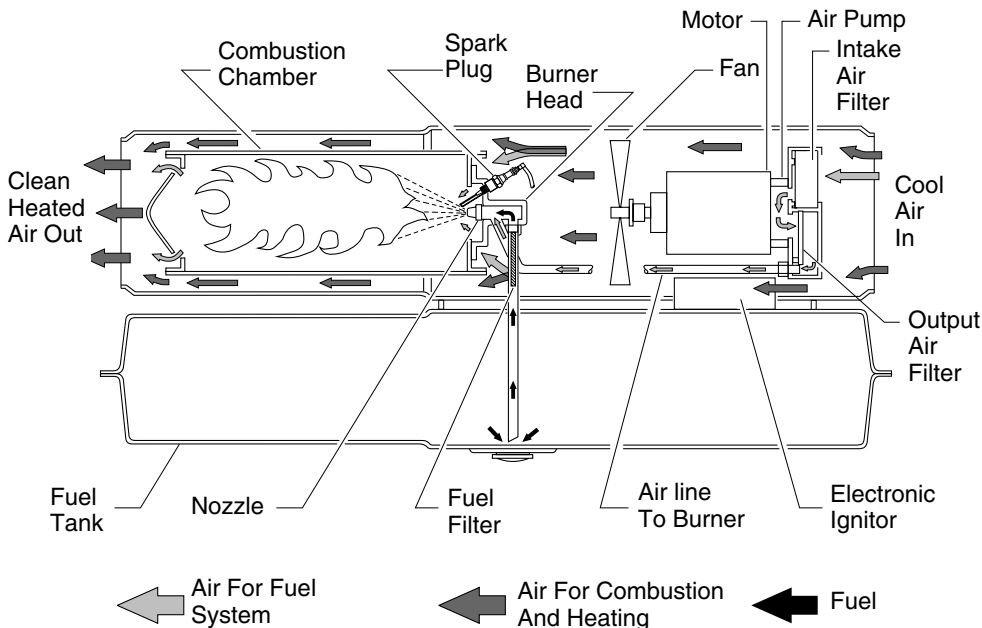


Figure 4 - Cross Section Operational View

Flame-Out Control Reset Button

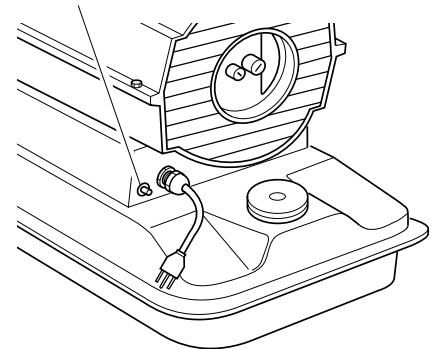


Figure 5 - Flame-Out Control Reset Button, 35/70,000 Btu/Hr

Flame-Out Control Reset Button

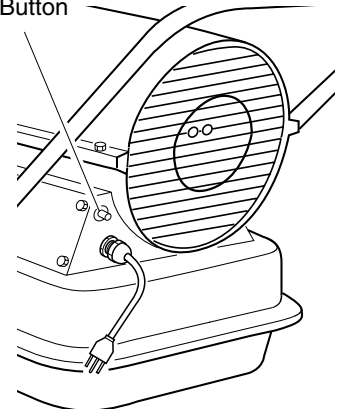


Figure 6 - Flame-Out Control Reset Button, 100/150,000 Btu/Hr

# MASTER<sup>®</sup>

## PORTABLE FORCED AIR HEATERS

### STORING, TRANSPORTING, OR SHIPPING

*Note:* If shipping, transport companies require fuel tanks to be empty.

1. Drain fuel tank.

*Note:* Some models have drain plug on underside of fuel tank. If so, remove drain plug to drain all fuel. If heater does not have drain plug, drain fuel through fuel cap opening. Be sure all fuel is removed.

2. Replace drain plug if provided.
3. If any debris is noted in old fuel, add 1 or 2 quarts of clean kerosene to tank, stir, and drain again. This will prevent excess debris from clogging filters during future use.
4. Replace fuel cap or drain plug. Properly dispose of old and dirty fuel. Check with local automotive service stations that recycle oil.
5. If storing, store heater in dry place. Make sure storage place is free of dust and corrosive fumes.

**IMPORTANT:** Do not store kerosene over summer months for use during next heating season. Using old fuel could damage heater.

### PREVENTATIVE MAINTENANCE SCHEDULE

Item	How Often	How To
Fuel tank	Flush every 150-200 hours of operation or as needed.	See <i>Storing, Transporting or Shipping</i> , column 1
Air output and lint filters	Replace every 500 hours of operation or once a year.	See <i>Air Output, Air Intake, and Lint Filters</i> , page 10.
Air intake filter	Wash and dry with soap and water every 500 hours of operation or as needed.	See <i>Air Output, Air Intake, and Lint Filters</i> , page 10.
Fuel filter	Clean twice a heating season or as needed.	See <i>Fuel Filter</i> , page 8.
Spark plug	Clean and regap every 600 hours operation or replace as needed.	See <i>Spark Plug</i> , page 9.
Fan blades	Clean every season or as needed.	See <i>Fan</i> , page 13.
Motor	Not required/permanently lubricated	

**⚠ WARNING:** Never service heater while it is plugged in, operating, or hot. Severe burns and electrical shock can occur.

# OWNER'S MANUAL

## TROUBLESHOOTING

 **WARNING:** Never service heater while it is plugged in, operating, or hot. Severe burns and electrical shock can occur.

OBSERVED FAULT	POSSIBLE CAUSE	REMEDY
Heater ignites, but flame-out control shuts off heater after a short period of time.	<ol style="list-style-type: none"><li>1. Wrong pump pressure</li><li>2. Dirty air output, air intake, and lint filters</li><li>3. Dirty fuel filter</li><li>4. Dirt in nozzle</li><li>5. Dirty photocell lens</li><li>6. Bad flame-out control</li></ol>	<ol style="list-style-type: none"><li>1. See <i>Pump Pressure Adjustment</i>, page 10.</li><li>2. See <i>Air Output, Air Intake and Lint Filters</i>, page 10.</li><li>3. See <i>Fuel Filter</i>, page 8.</li><li>4. See <i>Nozzle</i>, page 11.</li><li>5. Clean photocell lens.</li><li>6. Replace flame-out control.</li></ol>
Heater will not ignite, but motor runs for a short period of time.	<ol style="list-style-type: none"><li>1. Wrong pump pressure</li><li>2. Carbon deposits on spark plug and/or improper gap</li><li>3. Dirty fuel filter</li><li>4. Dirt in nozzle</li><li>5. Water in fuel tank</li></ol>	<ol style="list-style-type: none"><li>1. See <i>Pump Pressure Adjustment</i>, page 10.</li><li>2. See <i>Spark Plug</i>, page 9.</li><li>3. See <i>Fuel Filter</i>, page 8.</li><li>4. See <i>Nozzle</i>, page 11.</li><li>5. Drain and flush fuel tank with clean kerosene. See <i>Storing, Transporting, or Shipping</i>, page 6.</li></ol>
	<ol style="list-style-type: none"><li>6. Electronic ignitor not grounded (earthed)</li><li>7. Bad electronic ignitor</li></ol>	<ol style="list-style-type: none"><li>6. Make sure electronic ignitor mounting is tight.</li><li>7. Replace electronic ignitor.</li></ol>
Motor does not start when heater is plugged in, fan rotates slowly or does not turn.	<ol style="list-style-type: none"><li>1. Flame-out control not reset</li><li>2. Binding pump rotor</li></ol>	<ol style="list-style-type: none"><li>1. Reset flame-out control button, see Figures 5 and 6, page 5.</li><li>2. If fan is hard to turn, see <i>Pump Rotor</i>, page 12.</li></ol>

 **WARNING: High voltage!**

# MASTER

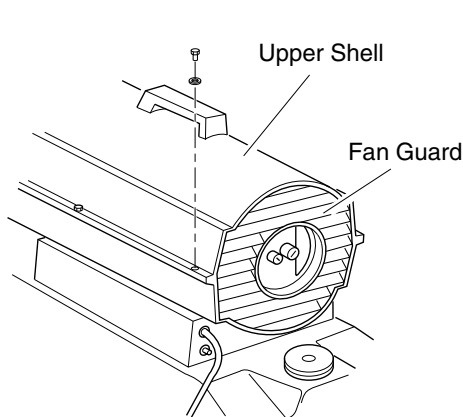
## PORTABLE FORCED AIR HEATERS

### SERVICE PROCEDURES

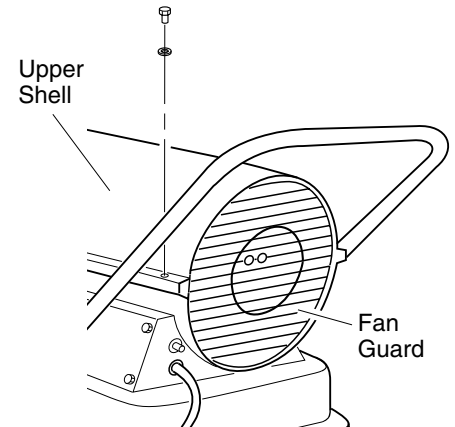
**⚠ WARNING:** Never service heater while it is plugged in, operating, or hot. Severe burns and electrical shock can occur.

#### Upper Shell Removal

1. Remove screws and lock washers along each side of heater using 5/16" nut-driver. These screws attach upper and lower shells together.
2. Lift upper shell off.
3. Remove fan guard.



**Figure 7 - Upper Shell Removal, 35/70,000 Btu/Hr Models**

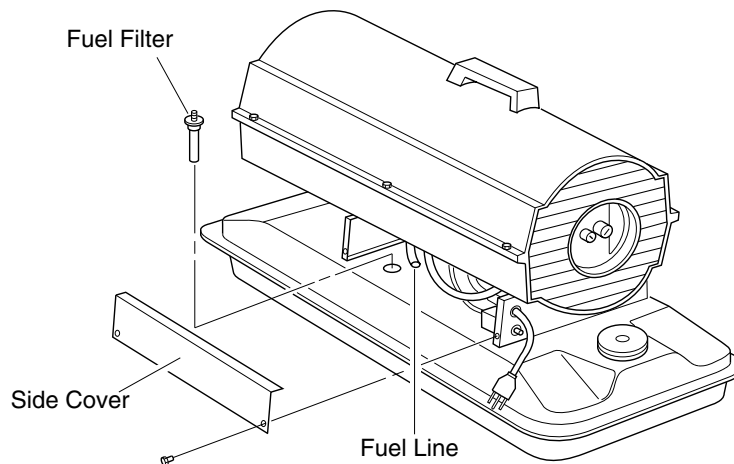


**Figure 8 - Upper Shell Removal, 100/150,000 Btu/Hr Models**

#### Fuel Filter

##### (35/70,000 Btu/Hr Models)

1. Remove side cover screws using 5/16" nut-driver.
2. Remove side cover.
3. Pull rubber fuel line off fuel filter neck.
4. Carefully pry bushing and fuel filter out of fuel tank.
5. Wash fuel filter with clean fuel and replace in tank.
6. Attach rubber fuel line to fuel filter neck.
7. Replace side cover.

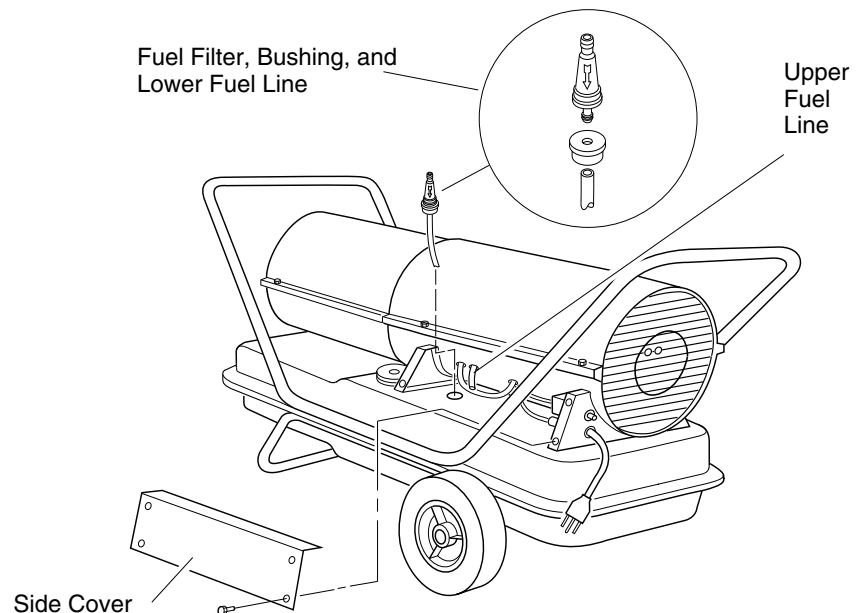


**Figure 9 - Fuel Filter Removal, 35/70,000 Btu/Hr Models**

#### Fuel Filter

##### (100/150,000 Btu/Hr Models)

1. Remove side cover screws using 5/16" nut-driver.
2. Remove side cover.
3. Pull upper fuel line off fuel filter neck.
4. Carefully pry bushing, lower fuel line, and fuel filter out of fuel tank.
5. Wash fuel filter with clean fuel and replace in tank.
6. Attach upper fuel line to fuel filter neck.
7. Replace side cover.



**Figure 10 - Fuel Filter Removal, 100/150,000 Btu/Hr Models**

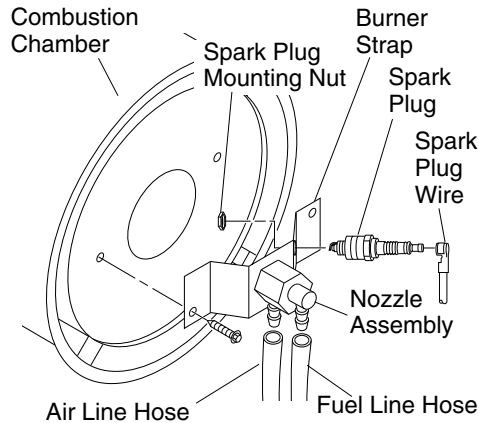


## SERVICE PROCEDURES

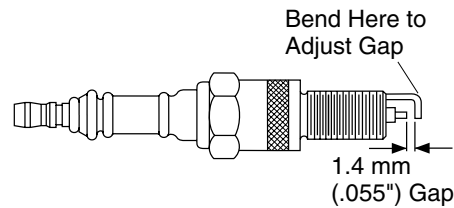
*Continued*

### Spark Plug (35,000 Btu/Hr Model)

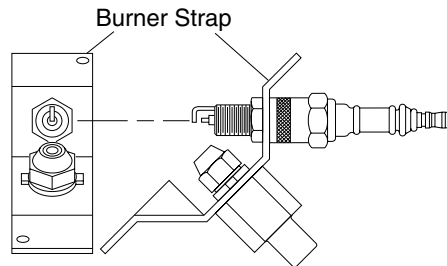
1. Remove upper shell (see page 8).
2. Remove fan (see page 13).
3. Remove fuel and air line hoses from nozzle assembly.
4. Remove spark plug wire from spark plug.
5. Remove two screws using 5/16" nut-driver and remove burner strap.
6. Place hex-body of spark plug into vise and tighten.
7. Remove spark plug mounting nut using 11/16" open-end wrench.
8. Remove burner strap from spark plug.
9. Clean and regap spark plug electrodes to 1.4 mm (.055") gap.
10. Replace burner strap onto spark plug. Rotate burner strap to position spark plug electrodes (see Figure 13).
11. Tighten spark plug with spark plug mounting nut.
12. Release hex-body of spark plug from vise.
13. Replace burner strap onto combustion chamber.
14. Attach spark plug wire to spark plug.
15. Attach fuel and air line hoses to nozzle assembly.
16. Replace fan (see page 13).
17. Replace fan guard and upper shell.



**Figure 11 - Spark Plug Removal, 35,000 Btu/Hr Model**



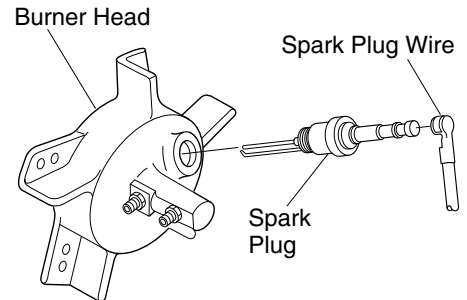
**Figure 12 - Spark Plug Gap, 35,000 Btu/Hr Model**



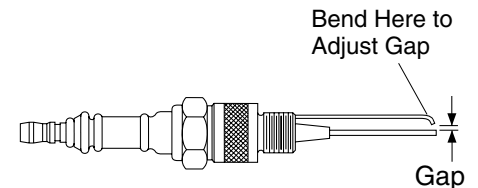
**Figure 13 - Spark Plug Rotation, 35,000 Btu/Hr Model Only**

### Spark Plug (70/100/150,000 Btu/Hr Models)

1. Remove upper shell (see page 8).
2. Remove fan (see page 13).
3. Remove spark plug wire from spark plug.
4. Remove spark plug from burner head using 13/16" open-end wrench.
5. Clean and regap spark plug electrodes as follows:  
**70/100,000 Btu/Hr Models:**  
1.9 mm (.075") gap  
**150,000 Btu/Hr Model:**  
2.8 mm (.110") gap
6. Install spark plug in burner head.
7. Attach spark plug wire to spark plug.
8. Replace fan (see page 13).
9. Replace fan guard and upper shell.



**Figure 14 - Spark Plug Removal, 70/100/150,000 Btu/Hr Models**



**Figure 15 - Spark Plug Gap, 70/100/150,000 Btu/Hr Models**

*Continued*

# MASTER

## PORTABLE FORCED AIR HEATERS

### SERVICE PROCEDURES

*Continued*

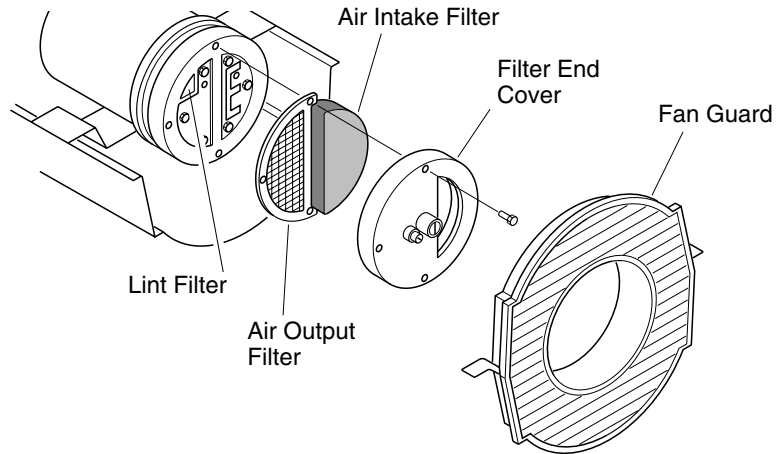
#### Air Output, Air Intake, and Lint Filters

1. Remove upper shell (see page 8).
2. Remove filter end cover screws using 5/16" nut-driver.
3. Remove filter end cover.
4. Replace air output and lint filters.
5. Wash or replace air intake filter (see *Preventative Maintenance Schedule*, page 6).
6. Replace filter end cover.
7. Replace fan guard and upper shell.

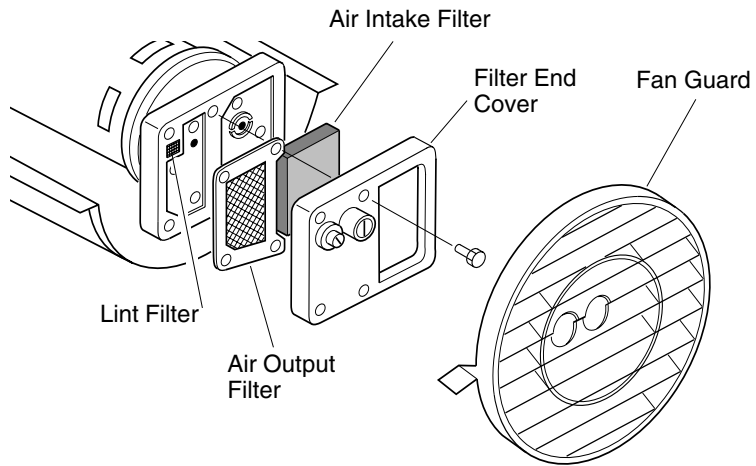
**IMPORTANT:** Do not oil filters

#### Pump Pressure Adjustment

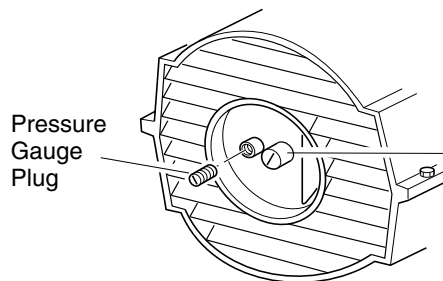
1. Remove pressure gauge plug from filter end cover.
2. Install accessory pressure gauge (part number HA1180).
3. Start heater (see *Operation*, page 5). Allow motor to reach full speed.
4. Adjust pressure. Turn relief valve to right to increase pressure. Turn relief valve to left to decrease pressure. See specifications at right for correct pressure for each model.
5. Remove pressure gauge. Replace pressure gauge plug in filter end cover.



**Figure 16 - Air Output, Air Intake, and Lint Filters, 35/70,000 Btu/Hr Models**

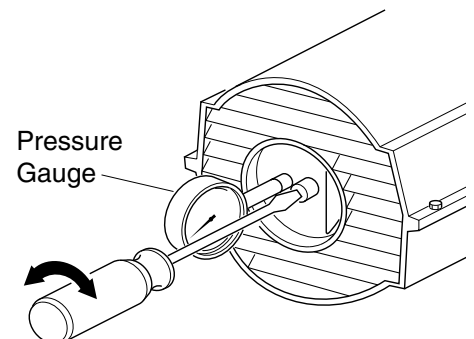


**Figure 17 - Air Output, Air Intake, and Lint Filters, 100/150,000 Btu/Hr Models**



**Figure 18 - Pressure Gauge Plug Removal**  
(35/70,000 Btu/Hr Models Shown)

Model	Pump Pressure (PSI/Bar)
35,000 Btu/Hr	2.9/0.20
70,000 Btu/Hr	3.8/0.26
100,000 Btu/Hr	3.9/0.27
150,000 Btu/Hr	4.8/0.33



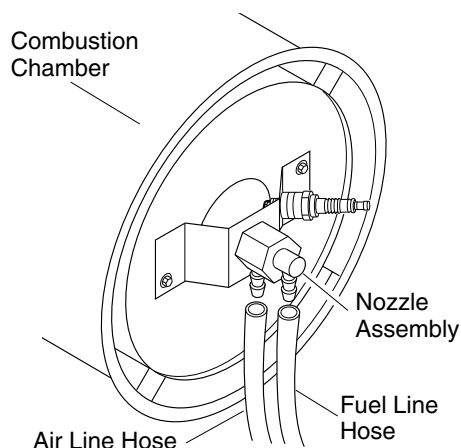
**Figure 19 - Adjusting Pump Pressure**

## SERVICE PROCEDURES

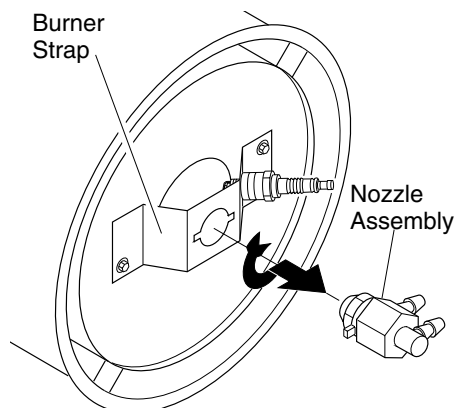
*Continued*

### Nozzle (35,000 Btu/Hr Model)

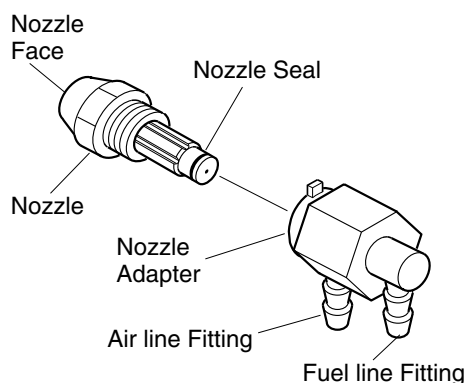
1. Remove upper shell (see page 8).
2. Remove fan (see page 13).
3. Remove fuel and air line hoses from nozzle assembly.
4. Turn nozzle assembly 1/4 turn to left and pull toward motor to remove.
5. Place plastic hex-body into vise and lightly tighten.
6. Carefully remove nozzle from the nozzle adapter using 5/8" socket wrench.
7. Blow compressed air thru face of nozzle. This will free any dirt in nozzle area.
8. Inspect nozzle seal for damage.
9. Replace nozzle into nozzle adapter until nozzle seats. Tighten 1/3 turn more using 5/8" socket wrench (4.5-5.1 n-m/40-45 inch-pounds).
10. Attach nozzle assembly to burner strap.
11. Attach fuel and airline hoses to nozzle assembly.
12. Replace fan (see page 13).
13. Replace fan guard and upper shell.



**Figure 20 - Removing Air and Fuel Line Hoses, 35,000 Btu/Hr Model**



**Figure 21 - Removing Nozzle Assembly, 35,000 Btu/Hr Model**

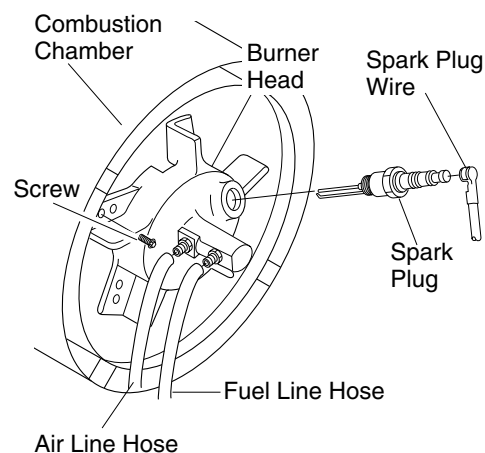


**Figure 22 - Nozzle and Nozzle Adapter, 35,000 Btu/Hr Model**

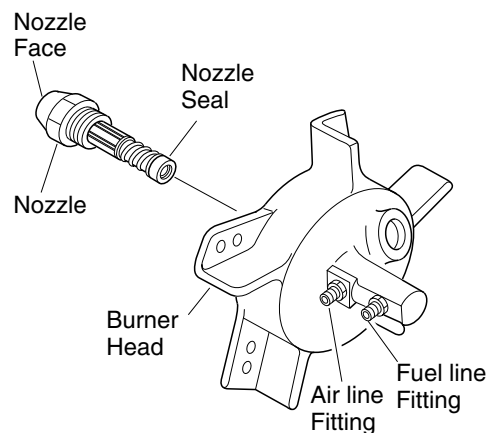
### Nozzle (70/100/150,000 Btu/Hr Models)

1. Remove upper shell (see page 8).
2. Remove fan (see page 13).
3. Remove fuel and air line hoses from burner head.
4. Remove spark plug wire from spark plug.
5. Remove spark plug from burner head using 13/16" open-end wrench.
6. Remove three screws using 5/16" nut-driver and remove burner head from combustion chamber.
7. Place burner head into vise and lightly tighten.
8. Carefully remove nozzle from burner head using 5/8" socket wrench (see Figure 24).
9. Blow compressed air thru face of nozzle. This will free any dirt in nozzle area.
10. Inspect nozzle seal for damage.

11. Replace nozzle into burner head and tighten firmly (9.1-12.4 n-m/80-110 inch-pounds).
12. Attach burner head to combustion chamber.
13. Install spark plug in burner head.
14. Attach spark plug wire to spark plug.
15. Attach fuel and airline hoses to burner head.
16. Replace fan (see page 13).
17. Replace fan guard and upper shell.



**Figure 23 - Removing Burner Head, 70/100/150,000 Btu/Hr Models**



**Figure 24 - Removing Nozzle, 70/100/150,000 Btu/Hr Models**

*Continued*

# MASTER<sup>®</sup>

## PORTABLE FORCED AIR HEATERS

### SERVICE PROCEDURES

*Continued*

#### Pump Rotor

**(Procedure if rotor is binding)**

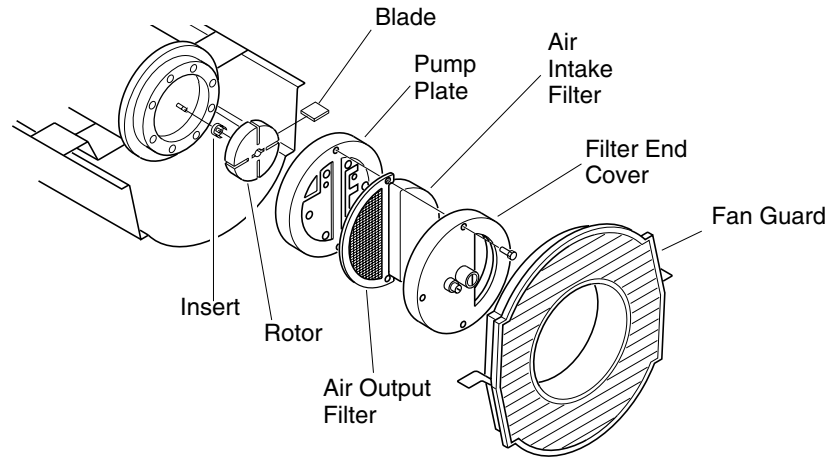
1. Remove upper shell (see page 8).
2. Remove filter end cover screws using 5/16" nut-driver.
3. Remove filter end cover and air filters.
4. Remove pump plate screws using 5/16" nut-driver.
5. Remove pump plate.
6. Remove rotor, insert, and blades.
7. Check for debris in pump. If debris is found, blow out with compressed air.
8. Install insert and rotor.
9. Check gap on rotor. Adjust to .076/.101 mm (.003"/.004") if needed (see Figure 27).

**Note:** Rotate rotor one full turn to insure the gap is .076/.101 mm (.003"/.004") at tightest position. Adjust if needed.

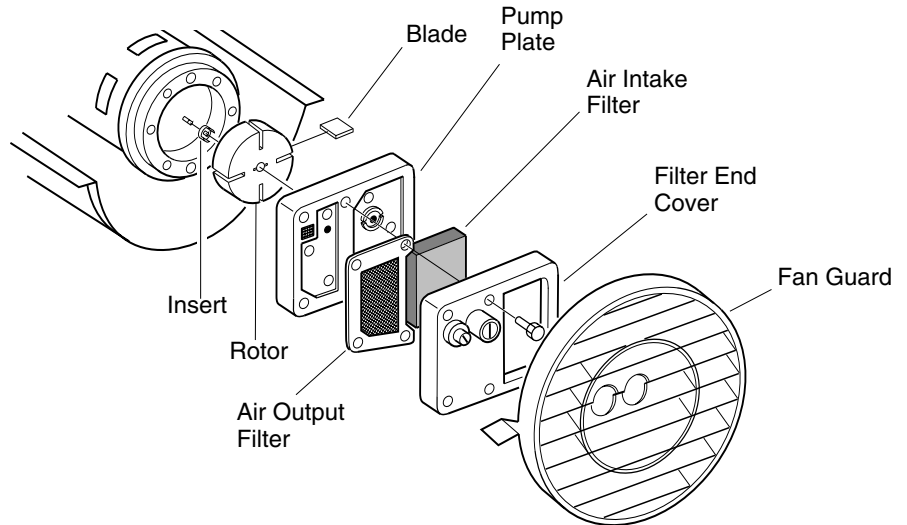
10. Install blades, pump plate, air filters, and filter end cover.
11. Replace fan guard and upper shell.
12. Adjust pump pressure (see page 10).

**Note:** If rotor is still binding, proceed as follows.

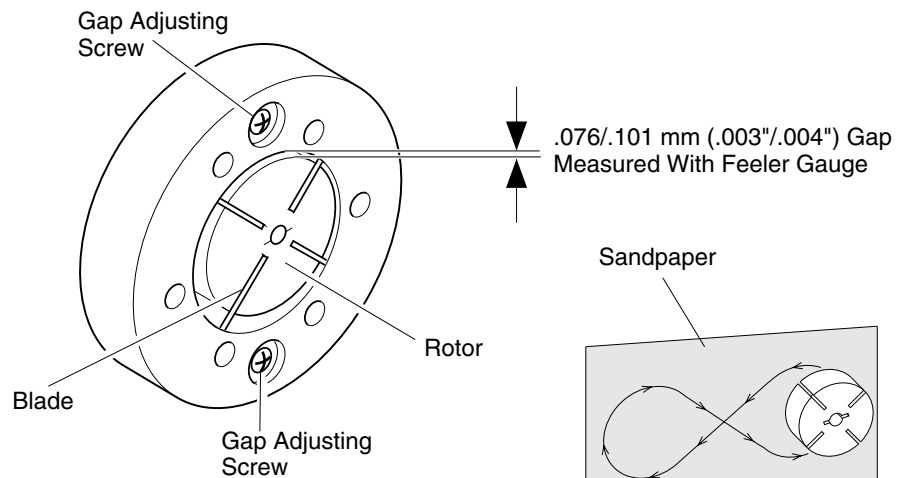
13. Perform steps 1 through 6 above.
14. Place fine grade sandpaper (600 grit) on flat surface. Sand rotor lightly in "figure 8" motion four times (see Figure 28).
15. Reinstall insert and rotor.
16. Perform steps 10 through 12 above.



**Figure 25 - Rotor Location, 35/70,000 Btu/Hr Models**



**Figure 26 - Rotor Location, 100/150,000 Btu/Hr Models**



**Figure 27 - Gap Adjusting Screw Locations**

**Figure 28 - Sanding Rotor**

# OWNER'S MANUAL

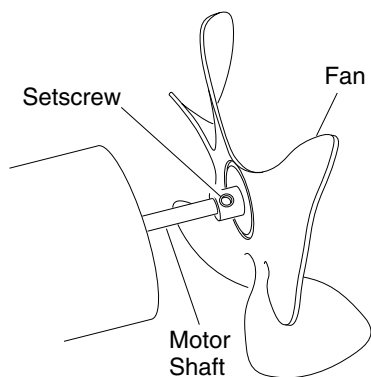
## SERVICE PROCEDURES

*Continued*

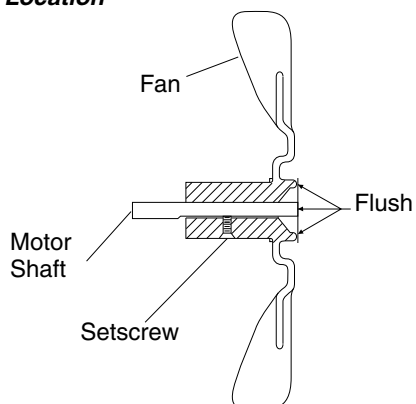
### Fan

**IMPORTANT:** Remove fan from motor shaft before removing motor from heater. The weight of the motor resting on the fan could damage the fan pitch.

1. Remove upper shell (see page 8).
2. Use 1/8" allen wrench to loosen setscrew which holds fan to motor shaft.
3. Slip fan off motor shaft.
4. Clean fan using a soft cloth moistened with kerosene or solvent.
5. Dry fan thoroughly.
6. Replace fan on motor shaft. Place fan hub flush with end of motor shaft (see Figure 30).
7. Place setscrew on flat of shaft. Tighten setscrew firmly (40-50 inch-pounds/ 4.5-5.6 n-m).
8. Replace fan guard and upper shell.



**Figure 29 - Fan, Motor Shaft, and Setscrew Location**

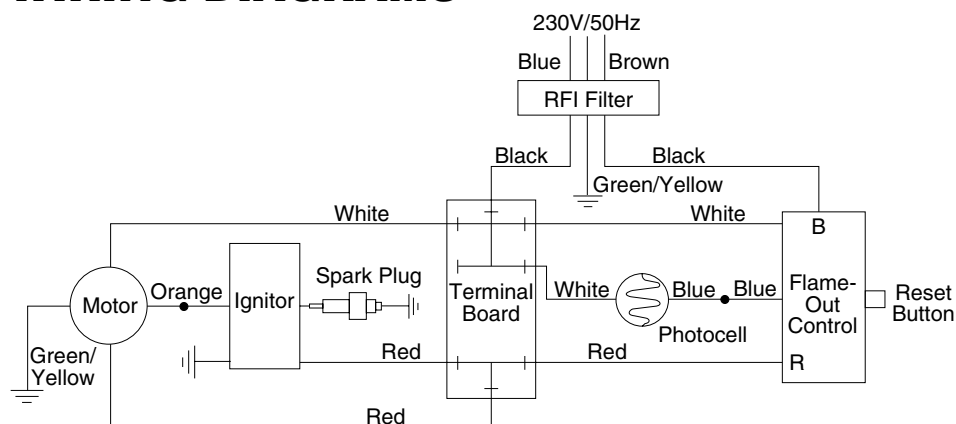


**Figure 30 - Fan Cross Section**

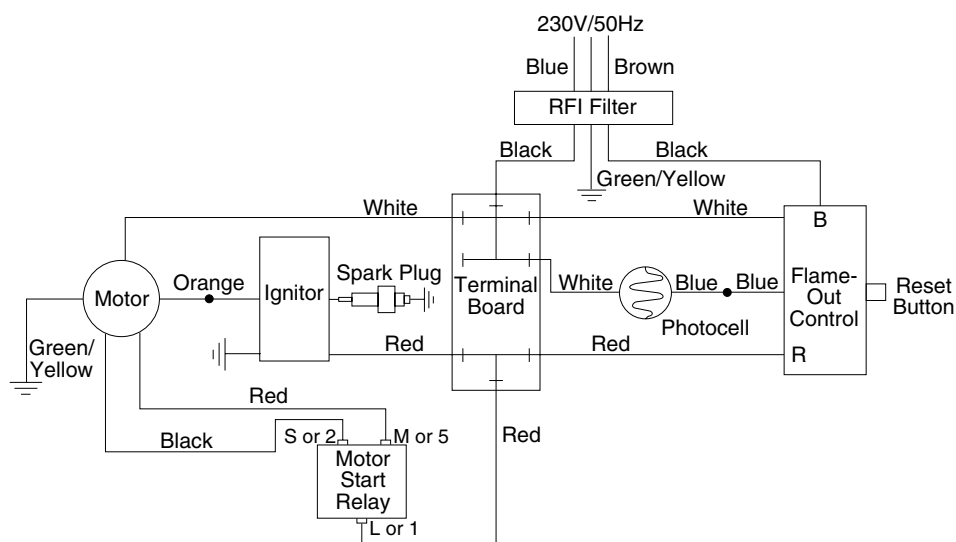
## SPECIFICATIONS

Output Rating (Btu/Hr)	35,000	70,000	100,000	150,000
Fuel	Use Only Kerosene or No. 1 Fuel Oil			
Fuel Tank Capacity (U.S. Gal./Liters)	3.0/11.4	5.0/18.9	9.0/34	13.5/51.1
Fuel Consumption (Gal. Per Hr./Liters Per Hr.)	.26/1.0	.49/1.85	.70/2.7	1.1/4.1
Electric Requirements	230 V/50 Hz (Same All Models)			
Amperage (Normal Run)	.8	1.0	1.2	1.2
Hot Air Output (CFM/CMM)	140/4	225/6.4	425/12	500/14.2
RPM	1425	2850	2850	2850

## WIRING DIAGRAMS



**Figure 31 - Wiring Diagram, 35/100/150,000 Btu/Hr Models**



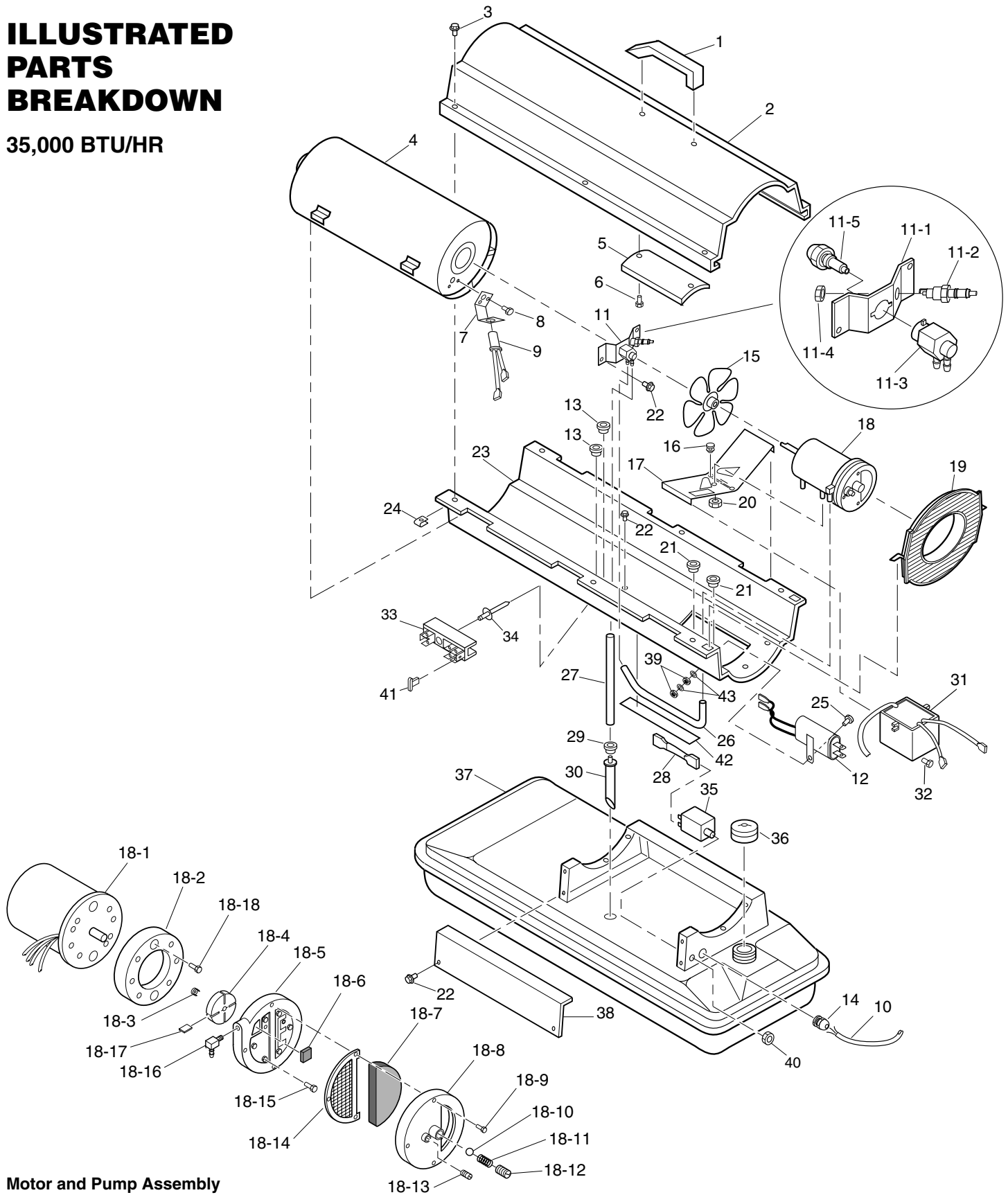
**Figure 32 - Wiring Diagram, 70,000 Btu/Hr Model**

# MASTER

## PORTABLE FORCED AIR HEATERS

### ILLUSTRATED PARTS BREAKDOWN

35,000 BTU/HR



Motor and Pump Assembly

# OWNER'S MANUAL

## PARTS LIST

35,000 BTU/HR

This list contains replaceable parts used in your heater. When ordering parts, be sure to provide the correct model and serial numbers (from the model plate), then the part number and description of the desired part.

KEY NO.	PART NUMBER	PART DESCRIPTION	QTY.	KEY NO.	PART NUMBER	PART DESCRIPTION	QTY.
1	M51104-01	Handle	1	18-16	M50016	Elbow, 90° (Barb Fitting)	1
2	098511-54	Upper Shell	1	18-17	M8643-2	Blade	4
3	102432-01	Screw/Lockwasher, 1/2"	6	18-18	FHPF3-6C	Screw, #10-32 x 3/4"	2
4	098512-43	Combustion Chamber	1	19	M51105-01	Fan Guard	1
5	M51108-01	Heat Shield	1	20	NTC-4C	Hex locknut	2
6	M11084-29	Screw, #10-16 x 3/4"	2	21	M50104-02	Bushing (wires)	2
7	M16660	Photocell Bracket	1	22	102431-01	Screw/Lockwasher, 1/2"	10
8	M10908-2	Screw, #6-32 x 3/8"	2	23	098511-12	Lower Shell	1
9	HA3019	Photocell Assembly	1	24	M11271-8	Clip Nut	6
10	079673-06	Power Cord	1	25	RF3-6B	Screw, #10-32 x 3/4"	1
11	**	Burner Strap Assembly	1	26	M29652-04	Rubber Airline	1
11-1	097124-01	Bracket	1	27	M29652-05	Fuel Line	1
11-2	HA3013	Spark Plug	1	28	M16841-57	Wire Assembly (red 8 1/2")	1
11-3	079980-01	Nozzle Adapter	1	29	M10990-3	Rubber Bushing	1
11-4	M29824	Nut, 14mm	1	30	M50876-04	Fuel Filter Assembly (Includes bushing)	1
11-5	HA3006	Nozzle	1	31	102482-02	Electronic Ignitor	1
12	102801-01	Power Line RFI Filter	1	32	M11084-29	Screw, #10-16 x 3/4"	2
13	M30865-02	Bushing	2	33	099125-02	Terminal Board	1
14	M50400	Strain Relief Bushing	1	34	099157-01	Rivet	1
15	M30884	Fan	1	35	097630-02	Flame-Out Control	1
16	M50631	Rubber Bumper	2	36	097702-01	Fuel Tank Cap	1
17	101205-01	Motor Bracket	1	37	098513-73	Fuel Tank	1
18	**	Motor and Pump Assembly	1	38	M50899-03AA	Side Cover	1
18-1	098642-02	Motor (230V/50Hz)	1	39	NPF-3B	Nut, #10-32	3
18-2	079975-03	Pump Body	1	40	099177-01	Hex Nut	1
18-3	M22009	Insert	1	41	078918-01	Terminal Board Tab Cap	1
18-4	M22456-2	Rotor	1	42	097785-01	Vinyl Foam Gasket	1
18-5	M29608	End Pump Cover	1	43	WLE-3	Lock Washer, #10	2
18-6	M29632	Lint Filter	1	<b>PARTS AVAILABLE - NOT SHOWN</b>			
18-7	M29633	Intake Filter	1		HA2210	Filler Neck Screen	1
18-8	M29609	End Filter Cover	1		097649-01	Tradename Decal	2
18-9	M12461-31	Screw, #10-32 x 1"	3		M9900-192	Combustion Chamber Ground Wire	1
18-10	M8940	Steel Ball (1/4" Dia.)	1		102944-01	Decal Package	1
18-11	M10993-1	Pressure Relief Spring	1				
18-12	M27694	Adjusting Screw	1				
18-13	M22997	Plug	1				
18-14	M29612-01	Output Filter	1				
18-15	M12461-32	Screw, #10-32 x 1 1/8"	6				

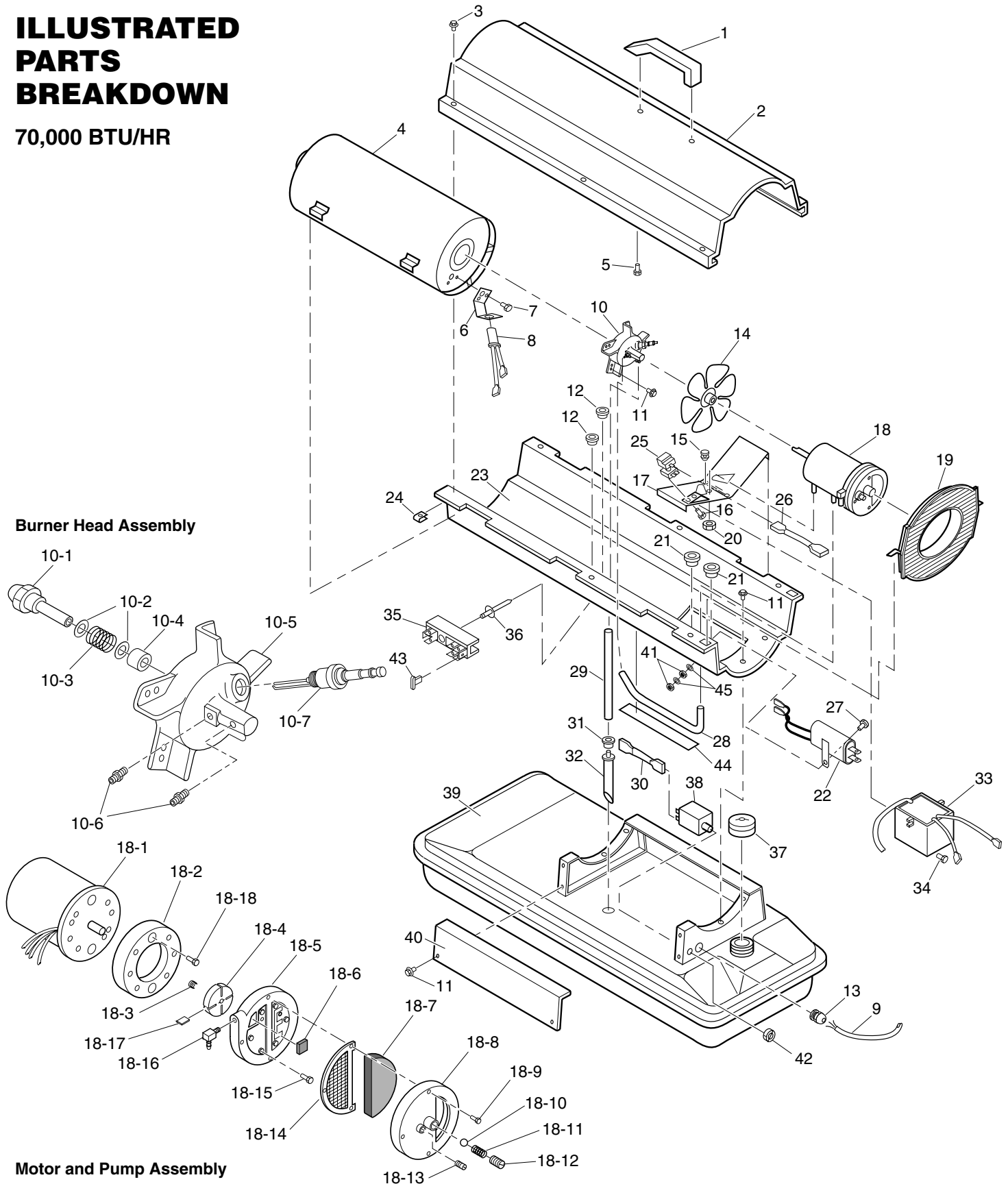
\*\*Not available as an assembly, order parts separately.

# MASTER

## PORTABLE FORCED AIR HEATERS

### ILLUSTRATED PARTS BREAKDOWN

70,000 BTU/HR





# OWNER'S MANUAL

## PARTS LIST

70,000 BTU/HR

This list contains replaceable parts used in your heater. When ordering parts, be sure to provide the correct model and serial numbers (from the model plate), then the part number and description of the desired part.

KEY NO.	PART NUMBER	PART DESCRIPTION	QTY.	KEY NO.	PART NUMBER	PART DESCRIPTION	QTY.
1	M51104-01	Handle	1	18-15	M12461-31	Screw, #10-32 x 1"	6
2	098511-54	Upper Shell	1	18-16	M50016	Elbow, 90° (Barb Fitting)	1
3	102432-01	Screw/Lockwasher, 1/2"	6	18-17	M8643	Blade	4
4	098512-44	Combustion Chamber	1	18-18	FHPF3-5C	Screw, #10-32 x 5/8"	2
5	M11084-29	Screw, #10-16 x 3/4"	2	19	M51105-01	Fan Guard	1
6	M16660	Photocell Bracket	1	20	NTC-4C	Hex locknut	2
7	M10908-2	Screw, #6-32 x 3/8"	2	21	M50104-02	Bushing (wires)	2
8	HA3019	Photocell Assembly	1	22	102801-01	Power Line RFI Filter	1
9	079673-06	Power Cord	1	23	098511-12	Lower Shell	1
10	**	Burner Head Assembly	1	24	M11271-8	Clip Nut	6
10-1	HA3008	Nozzle	1	25	098136-05	Relay (motor start)	1
10-2	M10659-1	Nozzle Seal Washer	2	26	M16841-58	Wire Assembly (red 9 1/2")	1
10-3	M10809-1	Nozzle Seal Spring	1	27	RF3-6B	Screw, #10-32 x 3/4"	1
10-4	M8882	Nozzle Seal Sleeve	1	28	M29652-04	Rubber Airline	1
10-5	M51098-02	Burner Head Body	1	29	079973-01	Fuel Line	1
10-6	M50820-01	Barb Fitting	2	30	M16841-57	Wire Assembly (red 8 1/2")	1
10-7	HA3012	Spark Plug	1	31	M10990-3	Rubber Bushing	1
11	102431-01	Screw/Lockwasher, 1/2"	11	32	M50876-05	Fuel Filter Assembly (Includes bushing)	1
12	M30865-02	Bushing	2				
13	M50400	Strain Relief Bushing	1	33	102482-02	Electronic Ignitor	1
14	M30884	Fan	1	34	M11084-29	Screw, #10-16 x 3/4"	2
15	M50631	Rubber Bumper	2	35	099125-02	Terminal Board	1
16	M12461-13	Screw, #8-32 x 1/4" (holds relay in position)	2	36	099157-01	Rivet	1
17	101205-01	Motor/Relay Bracket	1	37	097702-01	Fuel Tank Cap	1
18	**	Motor and Pump Assembly	1	38	097630-02	Flame-Out Control	1
18-1	102001-16	Motor (230V/50Hz)	1	39	098513-74	Fuel Tank	1
18-2	079975-02	Pump Body	1	40	M50899-03AA	Side Cover	1
18-3	M22009	Insert	1	41	NPF-3B	Nut, #10-32	3
18-4	M22456-1	Rotor	1	42	099177-01	Hex Nut	1
18-5	M29608	End Pump Cover	1	43	078918-01	Terminal Board Tab Cap	1
18-6	M29632	Lint Filter	1	44	097785-01	Vinyl Foam Gasket	1
18-7	M29633	Intake Filter	1	45	WLE-3	Lock Washer, #10	2
18-8	M29609	End Filter Cover	1	<b>PARTS AVAILABLE - NOT SHOWN</b>			
18-9	M12461-31	Screw, #10-32 x 1"	3				
18-10	M8940	Steel Ball (1/4" Dia.)	1		HA2210	Filler Neck Screen	1
18-11	M10993-1	Pressure Relief Spring	1		097649-01	Tradename Decal	2
18-12	M27694	Adjusting Screw	1		M9900-192	Combustion Chamber	
18-13	M22997	Plug	1			Ground Wire	1
18-14	M29612-01	Output Filter	1		102944-02	Decal Package	1

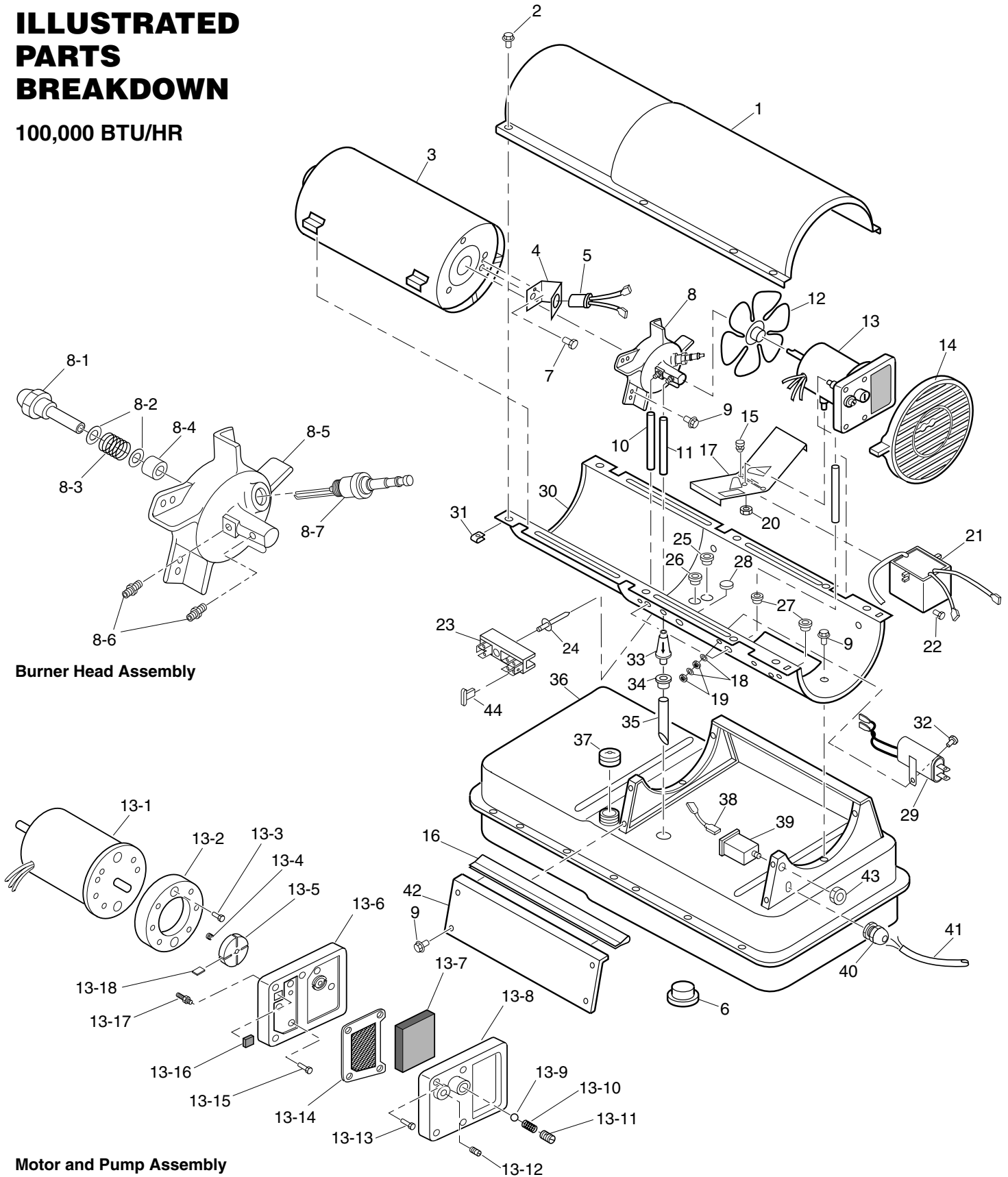
\*\*Not available as an assembly, order parts separately.

# MASTER

## PORTABLE FORCED AIR HEATERS

### ILLUSTRATED PARTS BREAKDOWN

100,000 BTU/HR



**Burner Head Assembly**

**Motor and Pump Assembly**

# OWNER'S MANUAL

## PARTS LIST

100,000 BTU/HR

This list contains replaceable parts used in your heater. When ordering parts, be sure to provide the correct model and serial numbers (from the model plate), then the part number and description of the desired part.

KEY NO.	PART NUMBER	PART DESCRIPTION	QTY.	KEY NO.	PART NUMBER	PART DESCRIPTION	QTY.
1	098511-138	Upper Shell	1	15	M50631	Rubber Bumper	2
2	102432-01	Screw/Lockwasher, 1/2"	8	16	097468-01	Edge Liner	1
3	098512-31	Combustion Chamber	1	17	101206-01	Motor and Relay Bracket Assembly	1
4	M16660	Photocell Bracket	1				
5	HA3019	Photocell Assembly	1	18	WLE-3	Lock Washer, #10	2
6	M27417	Drain Plug	1	19	NPF-3B	Nut, #10-32	3
7	M10908-2	Screw, #6-32 x 3/8"	2	20	NTC-4C	Hex locknut	2
8	**	Burner Head Assembly	1	21	102482-02	Electronic Ignitor	1
8-1	100735-15	Nozzle	1	22	M11084-29	Screw, #10-16 x 3/4"	2
8-2	M10659-1	Nozzle Seal Washer	2	23	099125-02	Terminal Board	1
8-3	M10809-1	Nozzle Seal Spring	1	24	099157-01	Rivet	1
8-4	M8882	Nozzle Seal Sleeve	1	25	M50104-03	Bushing	1
8-5	M50924-03	Burner Head Body	1	26	M50104-03	Bushing	1
8-6	M50820-02	Barb Fitting	2	27	M50104-01	Bushing	2
8-7	HA3012	Spark Plug	1	28	099213-01	Button Plug	1
9	102431-01	Screw/Lockwasher, 1/2"	13	29	102801-01	Power Line RFI Filter	1
10	M50814-06	Air Line	1	30	098511-191	Lower Shell	1
11	M51345-01	Fuel Line	1	31	M11271-8	Clip Nut	8
12	102042-01	Fan	1	32	RF3-6B	Screw, #10-32 x 3/4"	1
13	**	Motor and Pump Assembly	1	33	M51150-01	Fuel filter	1
13-1	102001-03	Motor with capacitor (230V/50Hz)	1	34	M10990-3	Rubber Bushing	1
13-2	079975-02	Pump Body	1	35	M51151-01	Fuel Line	1
13-3	FHPF3-5C	Screw, #10-32 x 5/8"	2	36	098513-75	Fuel Tank	1
13-4	M22009	Insert	1	37	097702-01	Fuel Tank Cap	1
13-5	M22456-1	Rotor	1	38	M16841-57	Wire Assembly (red 8 1/2")	1
13-6	M50545	End Pump Cover	1	39	097630-02	Flame-Out Control	1
13-7	M12179	Intake Filter	1	40	M50400	Strain Relief Bushing	1
13-8	M16545	End Filter Cover	1	41	079673-06	Power Cord	1
13-9	M8940	Steel Ball (1/4" Dia.)	1	42	M51077-01AA	Side Cover	1
13-10	M10993-1	Pressure Relief Spring	1	43	099177-01	Hex Nut	1
13-11	M27694	Adjusting Screw	1	44	078918-01	Terminal Board Tab Cap	1
13-12	M22997	Plug	1	<b>PARTS AVAILABLE - NOT SHOWN</b>			
13-13	M12461-31	Screw, #10-32 x 1"	4		HA2210	Filler Neck Screen	1
13-14	M12244-1	Output Filter	1		097650-01	Tradename Decal	2
13-15	M12461-31	Screw, #10-32 x 1"	6		M9900-192	Combustion Chamber Ground Wire	1
13-16	M11637	Lint Filter	1		102944-03	Decal Package	1
13-17	M50820-02	Barb Fitting	1				
13-18	M8643	Blade	4				
14	M51114-01	Fan Guard	1				

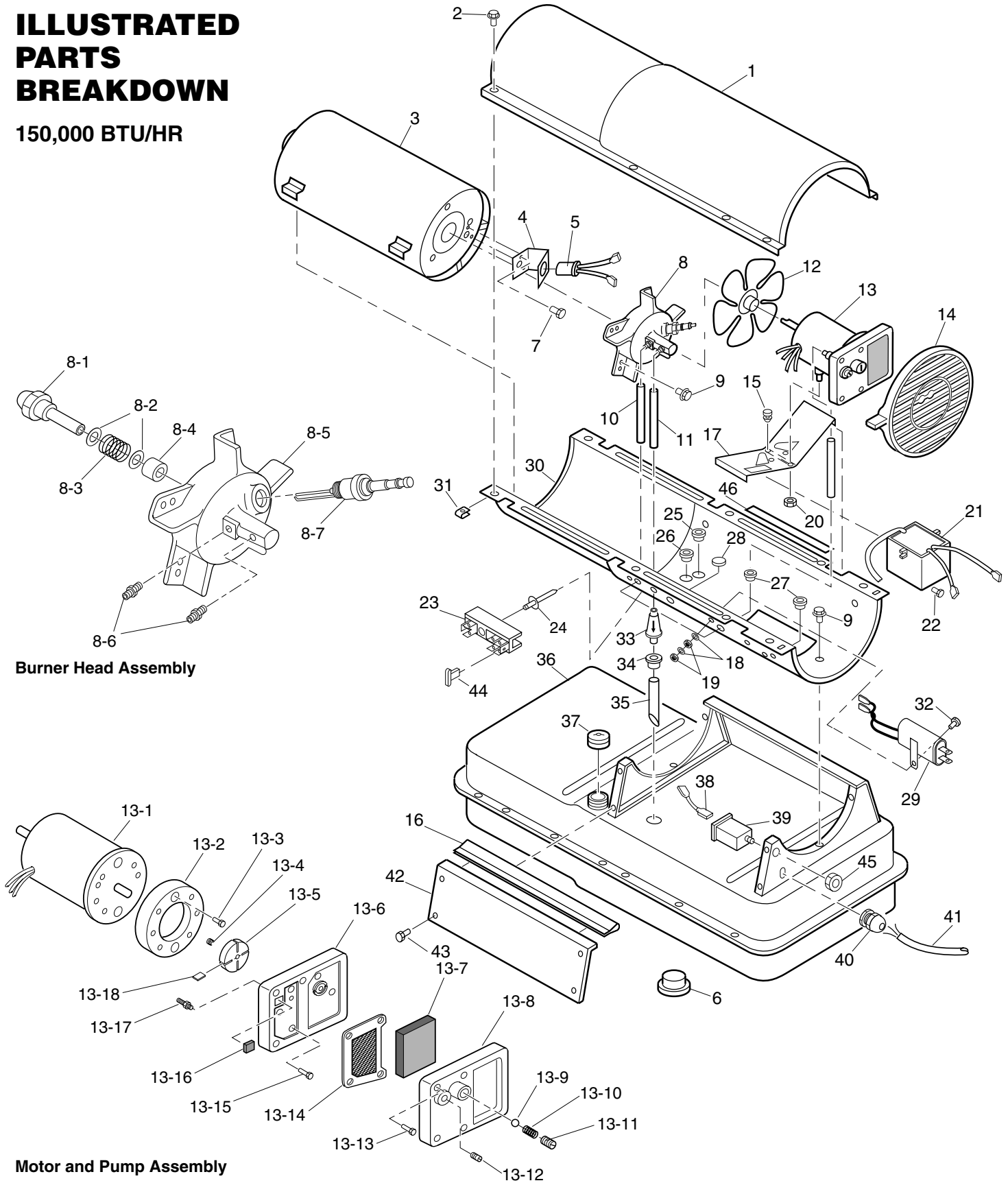
\*\*Not available as an assembly, order parts separately.

# MASTER

## PORTABLE FORCED AIR HEATERS

### ILLUSTRATED PARTS BREAKDOWN

150,000 BTU/HR



# OWNER'S MANUAL

## PARTS LIST

150,000 BTU/HR

This list contains replaceable parts used in your heater. When ordering parts, be sure to provide the correct model and serial numbers (from the model plate), then the part number and description of the desired part.

KEY NO.	PART NUMBER	PART DESCRIPTION	QTY.	KEY NO.	PART NUMBER	PART DESCRIPTION	QTY.
1	098511-138	Upper Shell	1	16	097468-01	Edge Liner	1
2	102432-01	Screw/Lockwasher, 1/2"	8	17	101206-01	Motor Bracket	1
3	098512-36	Combustion Chamber	1	18	WLE-3	Lock Washer, #10	2
4	099229-01	Photocell Bracket	1	19	NPF-3B	Nut, #10-32	3
5	HA3019	Photocell Assembly	1	20	NTC-4C	Hex locknut	2
6	M27417	Drain Plug	1	21	102482-02	Electronic Ignitor	1
7	M10908-2	Screw, #6-32 x 3/8"	2	22	M11084-29	Screw, #10-16 x 3/4"	2
8	**	Burner Head Assembly	1	23	099125-02	Terminal Board	1
8-1	100735-11	Nozzle	1	24	099157-01	Rivet	1
8-2	M10659-1	Nozzle Seal Washer	2	25	M50104-03	Bushing	1
8-3	M10809-1	Nozzle Seal Spring	1	26	M50104-03	Bushing	1
8-4	M8882	Nozzle Seal Sleeve	1	27	M50104-01	Bushing	2
8-5	M50924-08	Burner Head Body	1	28	099213-01	Button Plug	1
8-6	M50820-02	Barb Fitting	2	29	102801-01	Power Line RFI Filter	1
8-7	HA3012	Spark Plug	1	30	098511-191	Lower Shell	1
9	102431-01	Screw/Lockwasher, 1/2"	9	31	M11271-8	Clip Nut	8
10	M50814-06	Air Line	1	32	RF3-6B	Screw, #10-32 x 3/4"	1
11	M51345-01	Fuel Line	1	33	M51150-01	Fuel filter	1
12	102042-01	Fan	1	34	M10990-3	Rubber Bushing	1
13	**	Motor and Pump Assembly	1	35	M51151-02	Fuel Line	1
13-1	102001-03	Motor (with capacitor)	1	36	098513-76	Fuel Tank	1
13-2	079975-03	Pump Body	1	37	097702-01	Fuel Tank Cap	1
13-3	FHPF3-6C	Screw, #10-32 x 3/4"	2	38	M16841-57	Wire Assembly (red 8 1/2")	1
13-4	M22009	Insert	1	39	097630-02	Flame-Out Control	1
13-5	M22456-2	Rotor	1	40	M50400	Strain Relief Bushing	1
13-6	M50545	End Pump Cover	1	41	079673-06	Power Cord	1
13-7	M12179	Intake Filter	1	42	M51077-01AA	Side Cover	1
13-8	M16545	End Filter Cover	1	43	M11084-27	Screw, #10-16 x 1/2"	4
13-9	M8940	Steel Ball (1/4" Dia.)	1	44	078918-01	Terminal Board Tab Cap	1
13-10	M10993-1	Pressure Relief Spring	1	45	099177-01	Hex Nut	1
13-11	M27694	Adjusting Screw	1	46	097785-04	Vinyl Foam Gasket	2
13-12	M22997	Plug	1	<b>PARTS AVAILABLE - NOT SHOWN</b>			
13-13	M12461-31	Screw, #10-32 x 1"	4		HA2210	Filler Neck Screen	1
13-14	M12244-1	Output Filter	1		097650-01	Tradename Decal	2
13-15	M12461-32	Screw, #10-32 x 1 1/8"	6		M9900-192	Combustion Chamber	
13-16	M11637	Lint Filter	1			Ground Wire	1
13-17	M50820-02	Barb Fitting	1		102944-04	Decal Package	1
13-18	M8643-2	Blade	4				
14	M51114-01	Fan Guard	1				
15	M50631	Rubber Bumper	2				

\*\*Not available as an assembly, order parts separately.

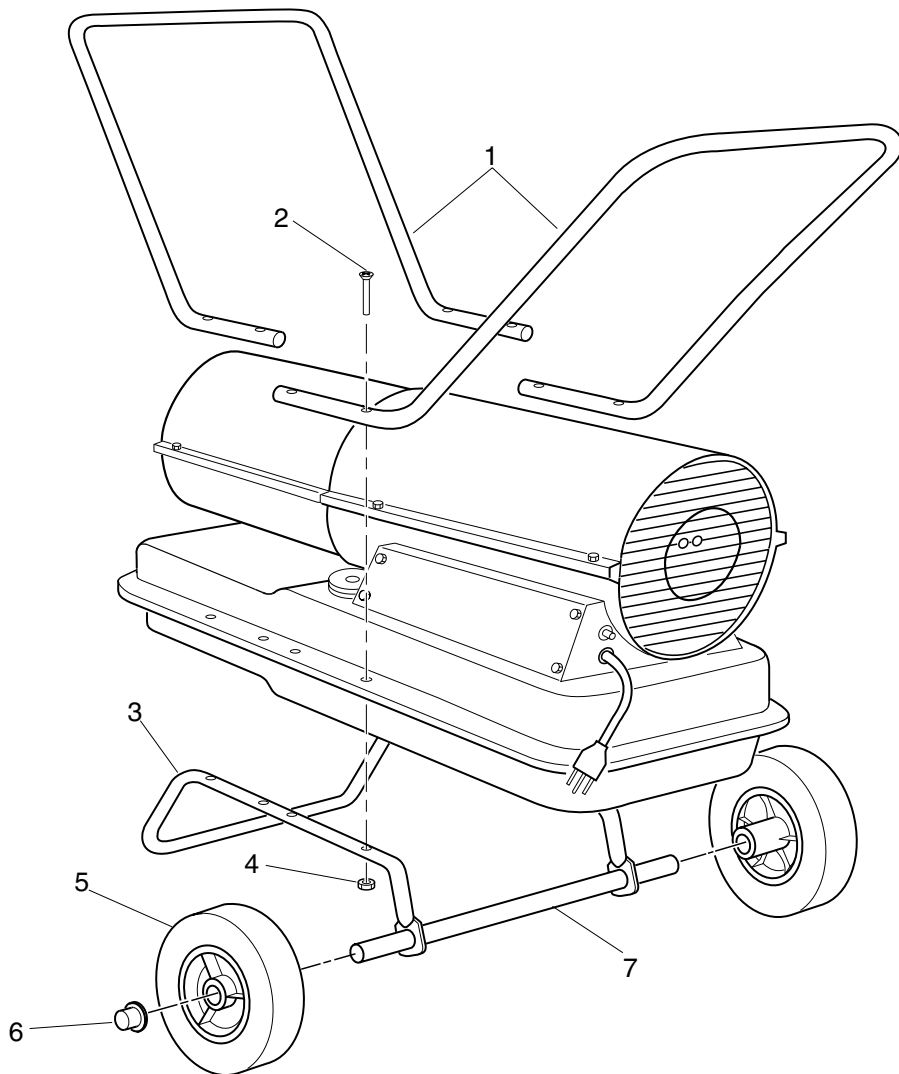
# MASTER

## PORTABLE FORCED AIR HEATERS

### WHEELS AND HANDLES

100,000 AND 150,000 BTU/HR MODELS

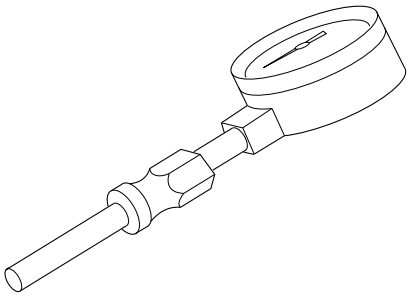
KEY NO.	PART NUMBER	PART DESCRIPTION	100,000 QTY.	150,000 QTY.
1	HA2203	Handles	2	—
	HA2204	Handles	—	2
2	M12345-33	Screw, #10-24 x 1 3/4"	8	8
3	M12342-3	Wheel Support Frame	1	—
	M12831-3	Wheel Support Frame	—	1
4	NTC-3C	Hex Nut, #10-24	8	8
5	097896-03	Wheel	2	2
6	M28526	Cap Nut	2	2
7	M51015-01	Axle	1	—
	M16801-2	Axle	—	1



# OWNER'S MANUAL

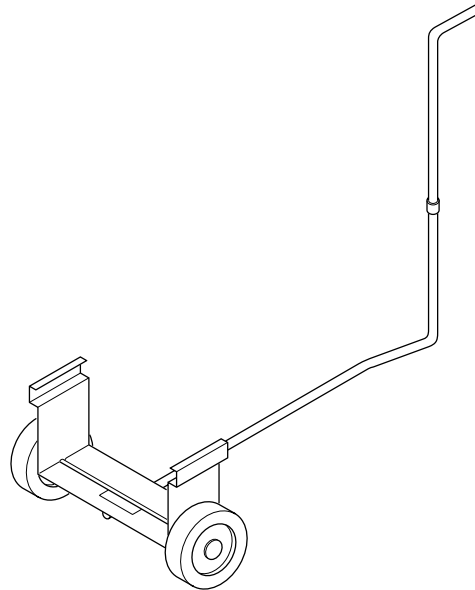
## ACCESSORIES

Purchase accessories from your local dealer.



### AIR GAUGE KIT - HA1180

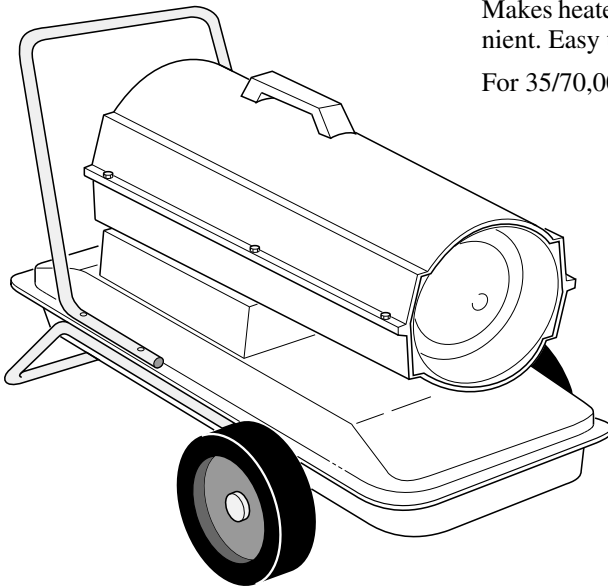
For all models. Special tool to check pump pressure.



### STANDARD WHEELS AND HANDLE KIT - HA1206

Makes heater even more portable and convenient. Easy to assemble.

For 35/70,000 Btu/Hr models.



### HEAVY DUTY WHEELS AND HANDLE KIT - HA1202

For heavy duty applications. Makes your heater even more portable and convenient.

For 35/70,000 Btu/Hr models.

# WARRANTY AND REPAIR SERVICE

## CERTIFICATE OF GENERAL EQUIPMENT - LIMITED 90 DAY WARRANTY

DESA International warrants new Products sold by it to be free from defects in material or workmanship for a period of ninety days after date of delivery to the first user and subject to the following conditions:

DESA International's obligation and liability under this Warranty is expressly limited to repairing or replacing at DESA International's option, any parts which appear to DESA International upon inspection to have been defective in material or workmanship when shipped from the factory. Such parts shall be provided at no cost to the user, at the business establishment of any factory authorized service center or the factory during regular working hours. The Warranty shall not apply to component parts or accessories of Products not manufactured by DESA International and which carry the warranty of the manufacturer thereof, or to normal maintenance (such as pressure adjustments) or to normal maintenance parts (such as filters and spark plugs). Replacement or repair parts installed in the Product covered by this Warranty are warranted only for the remainder of this Warranty as if such parts were original components of said Product. DESA INTERNATIONAL MAKES NO OTHER EXPRESS WARRANTY. TO THE EXTENT PERMITTED BY LAW DESA INTERNATIONAL MAKES NO IMPLIED WARRANTY AND MAKES NO WARRANTY OF MERCHANTABILITY OR FITNESS FOR ANY PARTICULAR PUR-

POSE. IN ANY EVENT IMPLIED WARRANTIES INCLUDING THOSE OF MERCHANTABILITY AND FITNESS FOR A PARTICULAR PURPOSE ARE LIMITED TO THE DURATION OF THIS EXPRESS WARRANTY.

Any transportation charges, costs of installation, duty, taxes or any other charges whatsoever must be borne by the user. DESA International's obligation under this limited Warranty shall not include any liability for direct, indirect, incidental, or consequential damage or delay. If requested by DESA International, Products or parts for which a warranty claim is made are to be returned transportation prepaid by user to the factory. Any improper use, including operation after discovery of defective or worn parts, operation beyond capacity, substitution of parts not approved by DESA International, or any alteration or repair by others in such manner as in DESA International's judgement affects the Product materially and adversely, shall void this Warranty.

NO EMPLOYEE OR REPRESENTATIVE IS AUTHORIZED TO CHANGE THIS WARRANTY IN ANY WAY OR GRANT ANY OTHER WARRANTY UNLESS SUCH CHANGE IS MADE IN WRITING AND SIGNED BY AN OFFICER OF DESA INTERNATIONAL AT ITS HOME OFFICE.

### WARRANTY SERVICE

Always specify model and serial numbers when communicating with the factory.

We reserve the right to amend these specifications at any time without notice. The only Warranty applicable is our standard written Warranty. We make no other Warranty, expressed or implied.

A Service Manual is available by writing to the Technical Service Department at:

**DESA**  
**INTERNATIONAL**

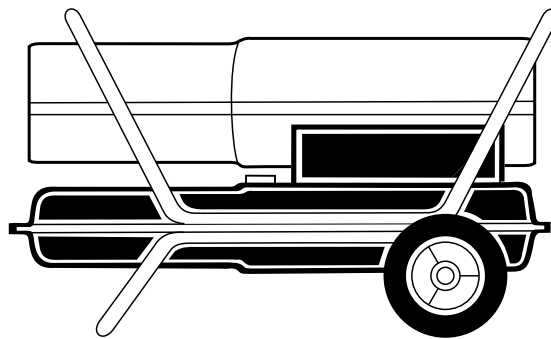
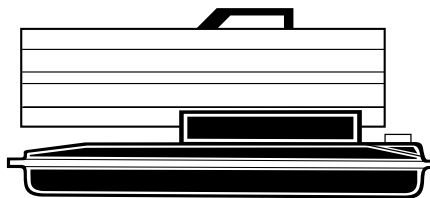
**Corporate Headquarters**  
2701 Industrial Drive  
P.O. Box 90004  
Bowling Green, Kentucky 42102-9004  
U.S.A.



# MASTER<sup>®</sup>

## CALENTADORES PORTATILES DE AIRE FORZADO

### MANUAL DEL PROPIETARIO



Tamaños: 10,2 (35.000) 20,5 (70.000) 29,3 (100.000) 44 kW (150.000 Btu/hr)  
Modelos: B35CEA, B70CEA, B100CEA, Y B150CEA

**IMPORTANTE:** Lea y comprenda este manual antes de armar, encender o dar servicio al calentador. El uso indebido del calentador puede causar lesiones graves. Guarde este manual para referencia futura.




104468 01  
NOT A UPC

104468-01  
Rev. A  
12/97

### INFORMACION DE SEGURIDAD

#### ADVERTENCIAS

**IMPORTANTE:** Lea este manual del propietario detenida y completamente antes de intentar armar, usar o dar servicio al calentador. El uso indebido de este calentador puede causar lesiones graves o la muerte a causa de las quemaduras, incendios, explosiones, choques eléctricos y envenenamiento por monóxido de carbono.

** PELIGRO:** El envenenamiento por monóxido de carbono puede causar la muerte.

**Envenenamiento por monóxido de carbono:** Los primeros síntomas del envenenamiento por monóxido de carbono son parecidos a los de la gripe e incluyen dolores de cabeza, mareos o náuseas. Si se experimentan estos síntomas, el calentador podría estar funcionando mal. **¡Busque aire fresco de inmediato!** Solicite la reparación del calentador. Algunos individuos se ven más afectados por el monóxido de carbono que otros. Estos incluyen las mujeres embarazadas, individuos con padecimientos del corazón o los pulmones o con anemia, individuos bajo los efectos del alcohol e individuos a grandes alturas.

Asegúrese de leer y comprender todas las advertencias. Guarde este manual para referencia. Es su guía para el uso seguro y adecuado de este calentador.

- Para evitar el riesgo de incendio o explosión, use sólo keroseno o fueloil No. 1. Nunca use gasolina, nafta, diluyentes de pintura, alcohol u otros combustibles muy inflamables.
- Abastecimiento de combustible
  - a) El personal involucrado en el abastecimiento del combustible deberá ser calificado y estar plenamente familiarizado con las instrucciones del fabricante y los reglamentos aplicables en cuanto al abastecimiento seguro de combustible de las unidades de calefacción.

b) Sólo se debe utilizar el tipo de combustible especificado en la chapa de datos del calentador.

c) Se deberá extinguir toda llama, incluyendo la luz piloto en su caso, y permitir que el calentador se enfríe antes de abastecerlo de combustible.

d) Durante el abastecimiento de combustible, todas las líneas y conexiones de combustible deberán inspeccionarse en busca de fugas. Todas las fugas deberán repararse antes de volver a poner en servicio el calentador.

e) En ningún momento se deberá almacenar una cantidad de combustible mayor que la necesaria para un día de funcionamiento en el interior de un edificio en las cercanías del calentador. El depósito de abasto de combustible deberá estar ubicado fuera de la estructura.

f) Todo el combustible almacenado deberá ubicarse a un mínimo de 762 cm (25 pies) de los calentadores, sopletes, equipo de soldadura y otras fuentes similares de inflamación (excepción: el tanque de combustible incorporado en el calentador).

g) Siempre que sea posible, el almacenamiento de combustible deberá confinarse a zonas donde las aberturas en el suelo no permitan que el combustible gotee sobre una llama o sea inflamado por una llama ubicada a una altura más baja.

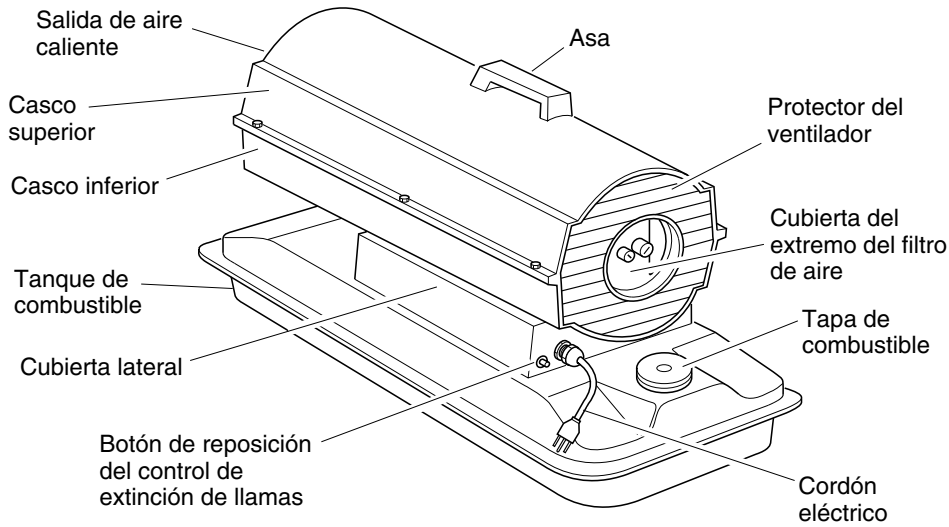
h) El almacenamiento del combustible deberá efectuarse según las disposiciones de las autoridades competentes.

- Nunca use el calentador en presencia de vapores de gasolina, de diluyente de pintura u otros vapores muy inflamables.
- Respete todos los reglamentos y códigos locales al usar el calentador.
- Los calentadores utilizados en las cercanías de alquitranado, lonas o materiales de envoltura similares deberán ubicarse a una distancia segura de tales materiales. La distancia mínima recomendada es 304,8 cm (10 pies). Además, se recomienda que tales materiales tengan propiedades retardantes a las llamas. Estos materiales de envoltura deberán fijarse de modo seguro para impedir su combustión o que volteen el calentador debido a la acción del viento.

- Utilícelo solamente en lugares con buena ventilación. Deje una abertura de por lo menos 2800 cm<sup>2</sup> (3 ft<sup>2</sup>) para la entrada de aire fresco exterior por cada 29,3 kW (100.000 Btu/hr) de capacidad.
- Utilícelo solamente en lugares exentos de vapores inflamables o contenido elevado de polvo.
- Use solamente el voltaje eléctrico y la frecuencia especificados en la chapa del número de modelo.
- Use solamente un cordón de extensión de tres clavijas con puesta a tierra.
- Los espacios mínimos entre el calentador y materiales combustibles son:  
Salida: 250 cm (8 ft)  
Lados, partes superior y trasera: 125 cm (4 ft)
- Coloque el calentador en una superficie estable y nivelada mientras el calentador está caliente o funcionando, de lo contrario podría ocurrir un incendio.
- Para trasladar o guardar el calentador, manténgalo en posición nivelada, de lo contrario podría derramarse el combustible.
- Deje el calentador fuera del alcance de los niños y animales.
- Desenchufe el calentador cuando no esté en uso.
- Cuando se usa con termostato, el calentador puede arrancar en cualquier momento.
- Nunca use el calentador en habitaciones o dormitorios.
- Nunca bloquee la entrada de aire (trasera) ni la salida de aire (delantera) del calentador.
- Nunca mueva, manipule, reabastezca de combustible ni dé servicio a un calentador caliente, en funcionamiento o enchufado.
- Nunca conecte ductos a la parte delantera o trasera del calentador. El uso de ductos podría reducir el flujo de aire que el calentador necesita. El calentador entonces produciría monóxido de carbono en exceso.

# MANUAL DEL PROPIETARIO

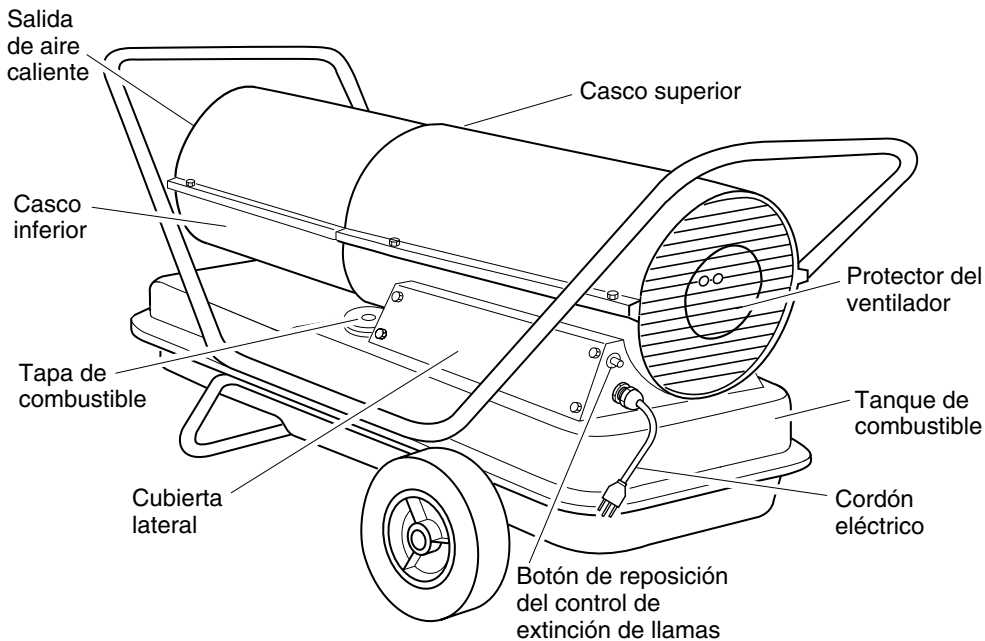
## IDENTIFICACION DEL PRODUCTO



## DESEMBALAJE

1. Quite todo el material de embalar aplicado al calentador para el transporte.
2. Saque todos los componentes de la caja.
3. Inspeccione los componentes en busca de daños ocurridos durante el transporte. Si el calentador ha sufrido daños, informe oportunamente al concesionario donde se compró el calentador.

**Figura 1 - Modelos de 10,2/20,5 kW (35.000/70.000 Btu/hr)**



**Figura 2 - Modelos de 29,3/44 kW (100.000/150.000 Btu/hr)**

# MASTER

## CALENTADORES PORTATILES DE AIRE FORZADO

### ARMADO

(SÓLO PARA MODELOS DE 29,3 Y 44 KW [100.000 Y 150.000 BTU/HR])

Estos modelos se proveen con ruedas y asas. Las ruedas, asas y la tornillería de montaje se encuentran en la caja de embalaje.

#### Herramientas necesarias

- Destornillador Phillips mediano
- Llave ajustable o de boca de 3/8"
- Martillo

1. Deslice el eje a través del bastidor de soporte de las ruedas. Instale las ruedas en el eje.

**IMPORTANTE:** Al instalar las ruedas, oriente el cubo extendido de las ruedas hacia el bastidor de soporte de las ruedas (vea la Figura 3).

2. Coloque las tuercas ciegas en los extremos del eje. Martíllelas suavemente para fijarlas.
3. Coloque el calentador sobre el bastidor de soporte de las ruedas. Asegúrese que el extremo de entrada de aire (posterior) del calentador esté sobre las ruedas. Alinee los agujeros de la pestaña del tanque de combustible con los agujeros del bastidor de soporte de las ruedas.
4. Coloque el asa delantera y el asa trasera encima de la pestaña del tanque de combustible. Inserte los tornillos a través de las asas, de la pestaña del tanque de combustible y del bastidor de soporte de las ruedas. Ponga una tuerca apretada a mano en cada tornillo después de insertarlo.
5. Después de insertar todos los tornillos, apriete las tuercas firmemente.

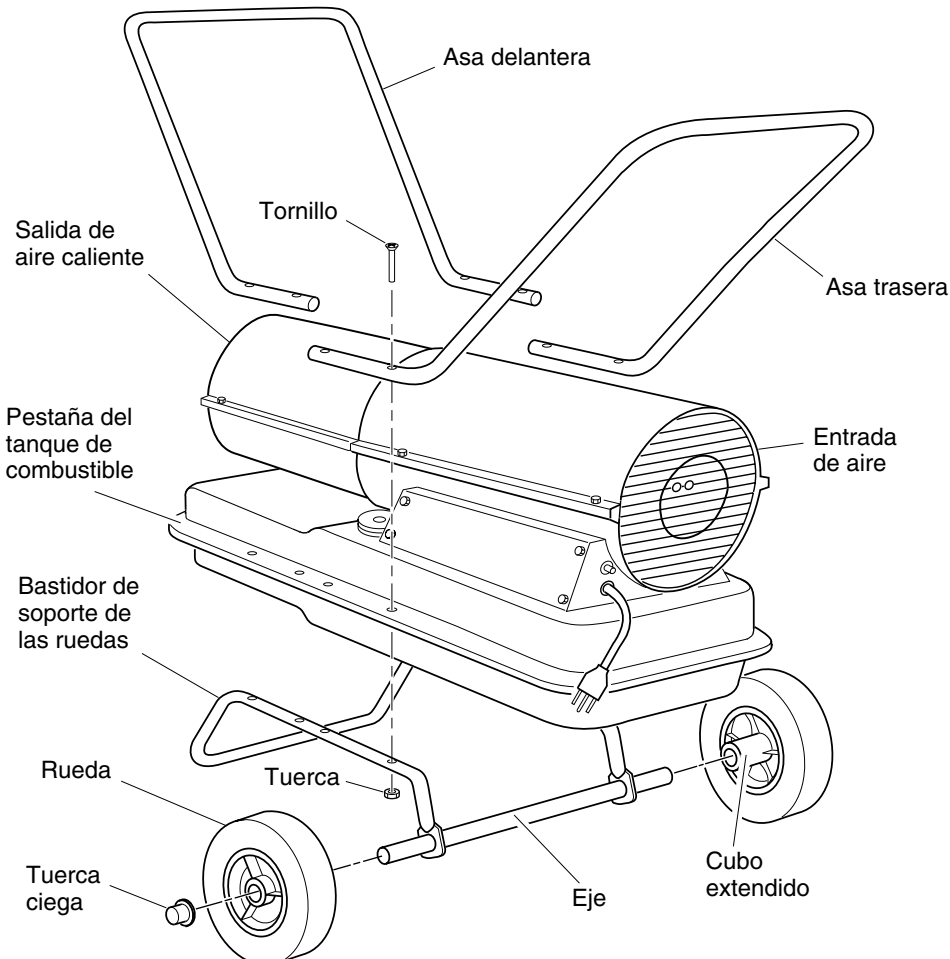


Figura 3 - Conjunto de ruedas y asas, sólo modelos de 29,3/44 kW (100.000/150.000 Btu/hr)

### COMBUSTIBLES

**ADVERTENCIA:** Para evitar el riesgo de incendio o explosión, use sólo keroseno o fueloil No. 1. Nunca use gasolina, nafta, diluyentes de pintura, alcohol u otros combustibles muy inflamables.

No use combustibles pesados como el fueloil No. 2 ó diesel No. 2. El uso de estos combustibles causará:

- taponamiento del filtro de combustible y de la boquilla
- depósitos de carbón en la bujía
- necesidad de usar aditivo anticongelador no tóxico en el combustible durante el tiempo muy frío

**IMPORTANTE:** Utilice un envase para almacenar KEROSENO SOLAMENTE. Asegúrese que el envase esté bien limpio. Las materias extrañas tales como óxido, tierra o agua harán que el control de extinción de llamas apague el calentador. Las materias extrañas también harán necesaria la limpieza frecuente del sistema de combustible.

### VENTILACION

**ADVERTENCIA:** Observe los requisitos mínimos de ventilación de aire fresco exterior. Si no se provee la ventilación debida con aire fresco exterior, podría ocurrir el envenenamiento por monóxido de carbono. Antes de hacer funcionar el calentador, asegúrese de proporcionar buena ventilación con aire fresco exterior.

Deje una abertura de por lo menos 2800 cm<sup>2</sup> (3 ft<sup>2</sup>) por cada 29,3 kW (100.000 Btu/hr) de capacidad para la entrada de aire. Proporcione aire fresco adicional si se usan más calentadores.

**Ejemplo:** Un calentador de 44 kW (150.000 Btu/hr) requiere una de las siguientes aberturas:

- puerta de garaje para dos carros de 4,88 m (16 ft) de ancho levantada por lo menos 8,59 cm (3,38 in.)
- puerta de garaje para un carro de 2,75 m (9 ft) de ancho levantada por lo menos 15,24 cm (6 in.)
- dos ventanas de 76,20 cm (30 in.) de ancho levantadas por lo menos 30,48 cm (12 in.)

# MANUAL DEL PROPIETARIO

## TEORIA DE FUNCIONAMIENTO

**Sistema de combustible:** La bomba de aire fuerza el paso del aire por la línea de aire. De allí, el aire es empujado a través de la boquilla del quemador. Este aire hace que el combustible del tanque suba. Un vapor fino de combustible es rociado en la cámara de combustión.

**Sistema de aire:** El motor hace girar el ventilador. El ventilador empuja el aire al interior y alrededor de la cámara de combustión. Este aire se calienta y proporciona un chorro de aire caliente y limpio.

**Sistema de encendido:** El ignitor electrónico envía voltaje a la bujía. La bujía enciende la mezcla de combustible y aire.

**Sistema de control de extinción de llamas:** Este sistema apaga el calentador en caso de extinguirse la llama.

## FUNCIONAMIENTO

**⚠ ADVERTENCIA:** Estudie y comprenda las advertencias dadas en la sección Información de seguridad. Son necesarias para el funcionamiento sin peligro de este calentador. Respete todos los códigos locales al usar este calentador.

### Para encender el calentador

1. Observe toda la información sobre ventilación y seguridad.
2. Llene el tanque de combustible con keroseno o fueloil No. 1.
3. Ponga la tapa de combustible.
4. Enchufe el cordón eléctrico del calentador en un tomacorriente estándar de 230 V/50 Hz con puesta a tierra. Utilice un cordón de extensión si es necesario. Use solamente un cordón de extensión de tres clavijas con puesta a tierra.

### Requisitos del calibre del alambre del cordón de extensión

Hasta 30,5 m (100 ft) de largo, use conductores de 1,0 mm<sup>2</sup> (16 AWG); de 30,6 a 61 m (101 a 200 ft), use conductores de 1,5 mm<sup>2</sup> (14 AWG)

El calentador arrancará al enchufar el cordón eléctrico en el tomacorriente. De lo contrario, oprima el botón de reposición del control de extinción de llamas (vea las Figuras 5 y 6).

### Para apagar el calentador

1. Desenchufe el cordón eléctrico del tomacorriente.

### Para volver a encender el calentador

1. Espere 2 minutos después de apagar el calentador.
2. Repita los pasos bajo *Para encender el calentador*.

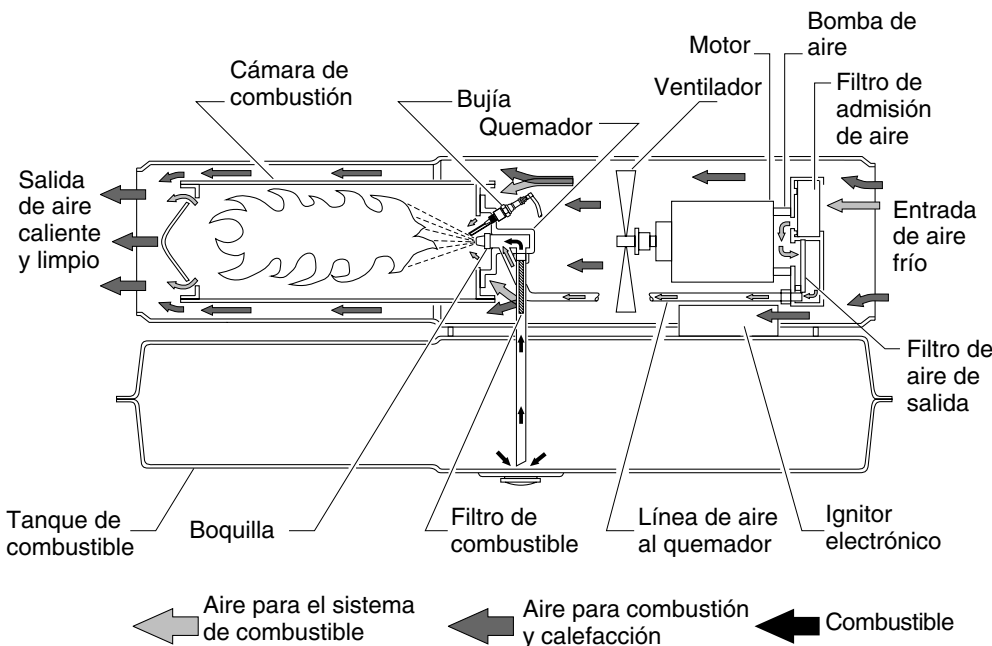


Figura 4 - Vista en corte transversal del funcionamiento

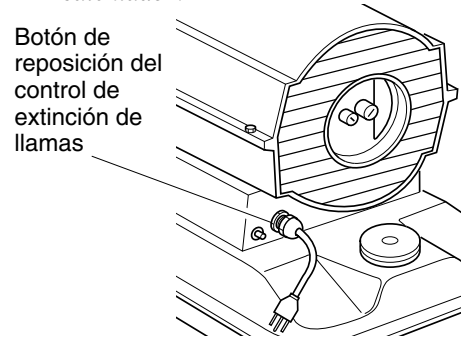


Figura 5 - Botón de reposición del control de extinción de llamas, modelos de 10,2/20,5 kW (35/70.000 Btu/hr)



Figura 6 - Botón de reposición del control de extinción de llamas, modelo de 29,3/44 kW (100.000/150.000 Btu/hr)

### ALMACENAMIENTO, TRANSPORTE O EMBARQUE

*Nota:* Si se está despachando la unidad para embarque, las compañías transportistas exigen que los tanques de combustible estén vacíos.

1. Vaciar el tanque de combustible.

*Nota:* Algunos modelos tienen el tapón de vaciado en el lado inferior del tanque de combustible. De ser así, sacar el tapón para vaciar todo el combustible. Si el calentador no tiene tapón de vaciado, vaciar el combustible por la abertura de la tapa de combustible. Asegurarse de haber extraído todo el combustible.

2. Volver a colocar el tapón de vaciado, si lo tiene.
3. Si se observa la presencia de basura en el combustible viejo, añadir 1 ó 2 litros de keroseno al tanque, agitarlo y volver a vaciarlo. Esto ayuda a impedir que el exceso de basura tapone los filtros en el futuro.
4. Volver a colocar la tapa del tanque de combustible o el tapón de vaciado. Desechar el combustible viejo de manera adecuada. Consultar a una estación de servicio local que efectúe el reciclaje de derivados del petróleo.
5. Si se está almacenando la unidad, almacenarla en un lugar seco. Asegurarse que el lugar de almacenamiento esté libre de polvo y vapores corrosivos.

**IMPORTANTE:** No almacenar el keroseno durante el verano para usarlo en la siguiente temporada fría. El usar keroseno viejo podría dañar el calentador.

### PROGRAMA DE MANTENIMIENTO PREVENTIVO

**⚠ ADVERTENCIA:** Nunca repare el calentador mientras está enchufado, en funcionamiento o caliente. Podrían ocurrir graves quemaduras y electrochoque.

Item	Intervalo	Procedimiento
Tanque de combustible	Enjuáguelo cada 150-200 horas de funcionamiento o según sea necesario.	Vea <i>Almacenamiento, Transporte o Embarque</i> , más arriba.
Filtros de salida de aire y de pelusa	Cámbielos cada 500 horas de funcionamiento o anualmente.	Vea <i>Filtros de salida de aire, de admisión de aire y de pelusa</i> , página 10.
Filtro de admisión de aire	Lávelo con agua y jabón y séquelo cada 500 horas de funcionamiento o según sea necesario.	Vea <i>Filtros de salida de aire, de admisión de aire y de pelusa</i> , página 10.
Filtro de combustible	Límpielo dos veces por temporada de frío o según sea necesario.	Vea <i>Filtro de combustible</i> , página 8.
Bujía	Límpiala y ajuste el espacio entre electrodos cada 600 horas de funcionamiento o según sea necesario.	Vea <i>Bujía</i> , página 9.
Paletas del ventilador	Límpielas cada temporada o según sea necesario.	Vea <i>Ventilador</i> , página 13.
Motor	No requerido/lubricado permanentemente.	

# MANUAL DEL PROPIETARIO

## LOCALIZACION DE AVERIAS

**⚠ ADVERTENCIA:** Nunca repare el calentador mientras está enchufado, en funcionamiento o caliente. Podrían ocurrir graves quemaduras y electrochoque.

### AVERIA OBSERVADA

El calentador se enciende, pero el control de extinción de llamas lo apaga después de un rato corto.

### CAUSA POSIBLE

1. Presión incorrecta de la bomba
2. Filtros de salida de aire, de admisión de aire y de pelusa sucios
3. Filtro de combustible sucio
4. Tierra en la boquilla
5. Cristal de la fotocélula sucio
6. Control de extinción de llamas defectuoso

### SOLUCION

1. Vea *Ajuste de la presión de la bomba*, página 10.
2. Vea *Filtros de salida de aire, de admisión de aire y de pelusa*, página 10.
3. Vea *Filtro de combustible*, página 8.
4. Vea *Boquilla*, página 11.
5. Limpie el cristal de la fotocélula.
6. Sustituya el control de extinción de llamas.

El calentador no enciende, pero el motor funciona por un rato corto.

1. Presión incorrecta de la bomba
2. Depósitos de carbón en la bujía y/o espacio entre electrodos inapropiado
3. Filtro de combustible sucio
4. Tierra en la boquilla
5. Agua en el tanque de combustible

1. Vea *Ajuste de la presión de la bomba*, página 10.
2. Vea *Bujía*, página 9.
3. Vea *Filtro de combustible*, página 8.
4. Vea *Boquilla*, página 11.
5. Vacíe y enjuague el tanque de combustible con keroseno limpio. Vea *Almacenamiento, Transporte o Embarque*, página 6.

**⚠ ADVERTENCIA:** ¡Alto voltaje!

6. Ignitor electrónico no conectado a tierra
7. Ignitor electrónico defectuoso

6. Asegúrese que el montaje del ignitor electrónico esté firmemente apretado.
7. Sustituya el ignitor electrónico.

El motor no arranca al enchufar el calentador, el ventilador gira lentamente o no gira.

1. El control de extinción de llamas no está reposicionado
2. Rotor de la bomba atascado

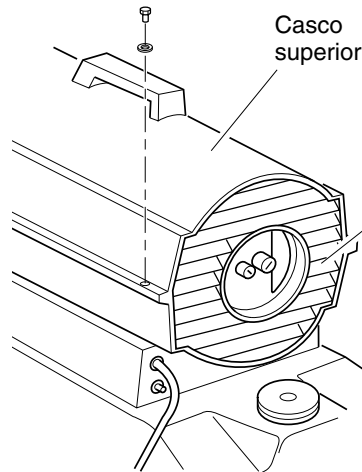
1. Oprima el botón del control de extinción de llamas, vea las Figuras 5 y 6 en la página 5.
2. Si el ventilador gira con dificultad, vea *Rotor de la bomba*, página 12.

### PROCEDIMIENTOS DE SERVICIO

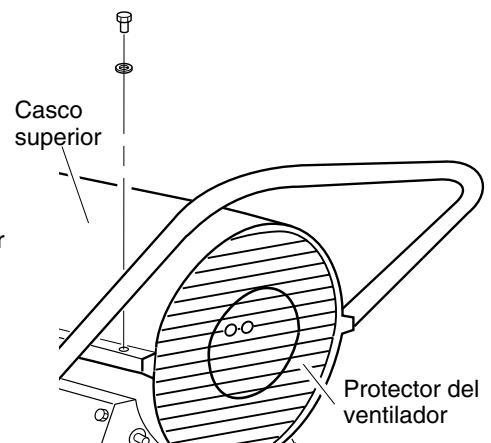
**⚠ ADVERTENCIA:** Nunca repare el calentador mientras está enchufado, en funcionamiento o caliente. Podrían ocurrir graves quemaduras y electrochoque.

#### Remoción del casco superior

1. Quite los tornillos a lo largo de cada lado del calentador con una llave de tuercas de 5/16". Estos tornillos sujetan juntos los cascos superior e inferior.
2. Levante y quite el casco superior.
3. Quite el protector del ventilador.



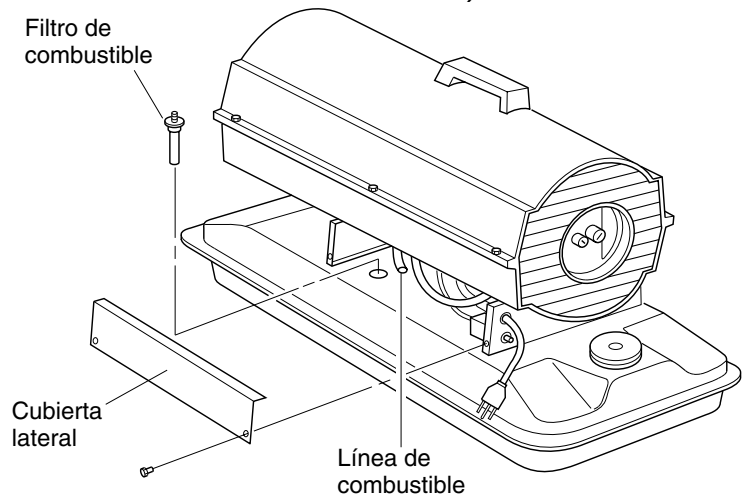
**Figura 7 - Remoción del casco superior, modelos de 10,2/20,5 kW (35.000/70.000 Btu/hr)**



**Figura 8 - Remoción del casco superior, modelo de 29,3/44 kW (100.000/150.000 Btu/hr)**

#### Filtro de combustible (Modelos de 10,2/20,5 kW [35.000/70.000 Btu/hr])

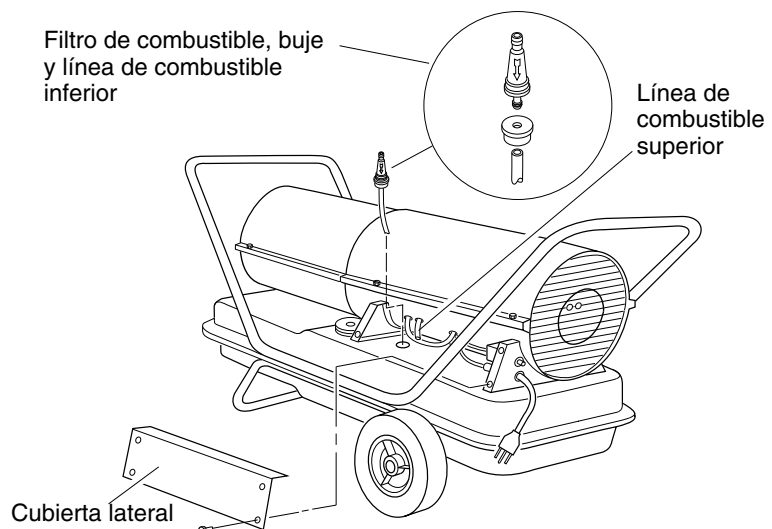
1. Quite los tornillos de la cubierta lateral con una llave de tuercas de 5/16".
2. Quite la cubierta lateral.
3. Quite la línea de combustible de caucho del cuello del filtro de combustible.
4. Palanquee cuidadosamente el buje y el filtro de combustible para sacarlos del tanque de combustible.
5. Lave el filtro de combustible con combustible limpio y vuelva a colocarlo en el tanque.
6. Sujete la línea de combustible de caucho al cuello del filtro de combustible.
7. Vuelva a colocar la cubierta lateral.



**Figura 9 - Remoción del filtro de combustible, modelos de 10,2/20,5 kW (35.000/70.000 Btu/hr)**

#### Filtro de combustible (Modelo de 29,3/44 kW [100.000/150.000 Btu/hr])

1. Quite los tornillos de la cubierta lateral con una llave de tuercas de 5/16".
2. Quite la cubierta lateral.
3. Quite la línea de combustible superior del cuello del filtro de combustible.
4. Palanquee cuidadosamente el buje, la línea de combustible inferior y el filtro de combustible para sacarlos del tanque de combustible.
5. Lave el filtro de combustible con combustible limpio y vuelva a colocarlo en el tanque.
6. Sujete la línea de combustible superior al cuello del filtro de combustible.
7. Vuelva a colocar la cubierta lateral.



**Figura 10 - Remoción del filtro de combustible, modelo de 29,3/44 kW (100.000/150.000 Btu/hr)**



# MANUAL DEL PROPIETARIO

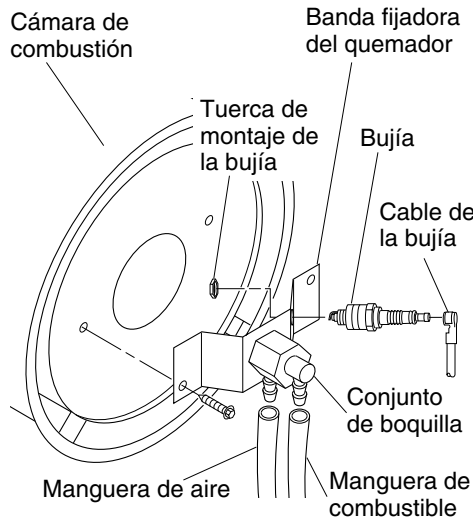
## PROCEDIMIENTOS DE SERVICIO

### Continuación

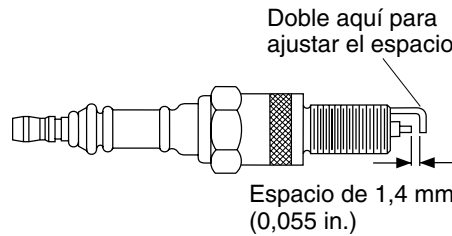
#### Bujía

##### (Modelo de 10,2 kW [35,000 Btu/hr])

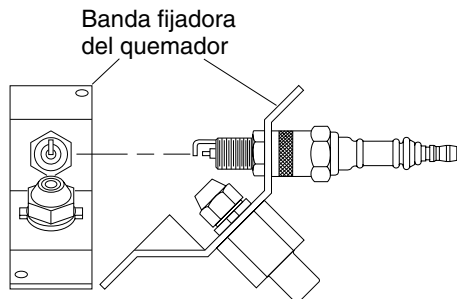
1. Quite el casco superior (vea la página 8).
2. Quite el ventilador (vea la página 13).
3. Quite las mangueras de las líneas de aire y de combustible del conjunto de la boquilla.
4. Quite el cable de la bujía.
5. Quite los dos tornillos con una llave de tuercas de 5/16" y quite la banda fijadora del quemador.
6. Coloque el cuerpo hexagonal de la bujía en una prensa y apriétela.
7. Quite la tuerca de montaje de la bujía con una llave de boca de 11/16".
8. Quite la banda fijadora del quemador de la bujía.
9. Limpie la bujía y ajuste el espacio entre electrodos a 1,4 mm (0.055 in.).
10. Vuelva a colocar la banda fijadora del quemador en la bujía. Gire la banda fijadora del quemador para posicionar los electrodos de la bujía (vea la Figura 13).
11. Apriete la bujía con la tuerca de montaje.
12. Suelte el cuerpo hexagonal de la bujía de la prensa.
13. Vuelva a colocar la banda fijadora del quemador en la cámara de combustión.
14. Conecte el cable de la bujía.
15. Sujete las mangueras de las líneas de aire y de combustible al conjunto de la boquilla.
16. Vuelva a colocar el ventilador (vea la página 13).
17. Vuelva a colocar el protector del ventilador y el casco superior.



**Figura 11 - Remoción de la bujía, modelo de 10,2 kW (35.000 Btu/hr)**



**Figura 12 - Espacio entre electrodos de la bujía, modelo de 10,2 kW (35.000 Btu/hr)**

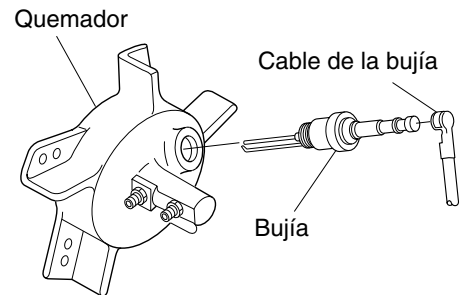


**Figura 13 - Rotación de la bujía, modelo de 10,2 kW (35.000 Btu/hr)**

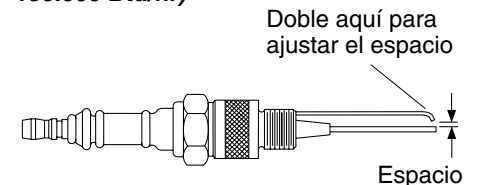
#### Bujía

##### (Modelos de 20,5/29,3/44 kW [70.000/100.000/150.000 Btu/hr])

1. Quite el casco superior (vea la página 8).
2. Quite el ventilador (vea la página 13).
3. Quite el cable de la bujía.
4. Quite la bujía del quemador con una llave de boca de 13/16".
5. Limpie la bujía y ajuste el espacio entre electrodos:  
**20,5/29,3 kW (70/100.000 Btu/hr) Modelos:**  
1,9 mm (.075 in.) espacio  
**44 kW (150.000 Btu/hr) Modelo:**  
2,8 mm (.110 in.) espacio
6. Instale la bujía en el quemador.
7. Conecte el cable de la bujía.
8. Vuelva a colocar el ventilador (vea la página 13).
9. Vuelva a colocar el protector del ventilador y el casco superior.



**Figura 14 - Remoción de la bujía, modelos de 20,5/29,3/26,4/44 kW (70.000/100.000/150.000 Btu/hr)**



**Figura 15 - Espacio entre electrodos de la bujía, modelos de 20,5/29,3/26,4/44 kW (70.000/100.000/150.000 Btu/hr)**

### PROCEDIMIENTOS DE SERVICIO

#### Continuación

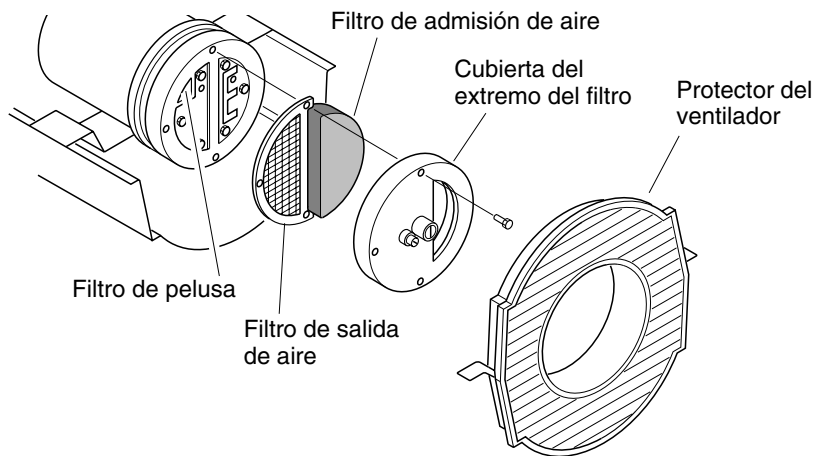
#### Filtros de salida de aire, de admisión de aire y de pelusa

1. Quite el casco superior (vea la página 8).
2. Quite los tornillos de la cubierta del extremo del filtro con una llave de tuercas de 5/16".
3. Quite la cubierta del extremo del filtro.
4. Reemplace los filtros de salida de aire y de pelusa.
5. Lave o reemplace el filtro de admisión de aire (vea Programa de mantenimiento preventivo, página 6).
6. Vuelva a colocar la cubierta del extremo del filtro.
7. Vuelva a colocar el protector del ventilador y el casco superior.

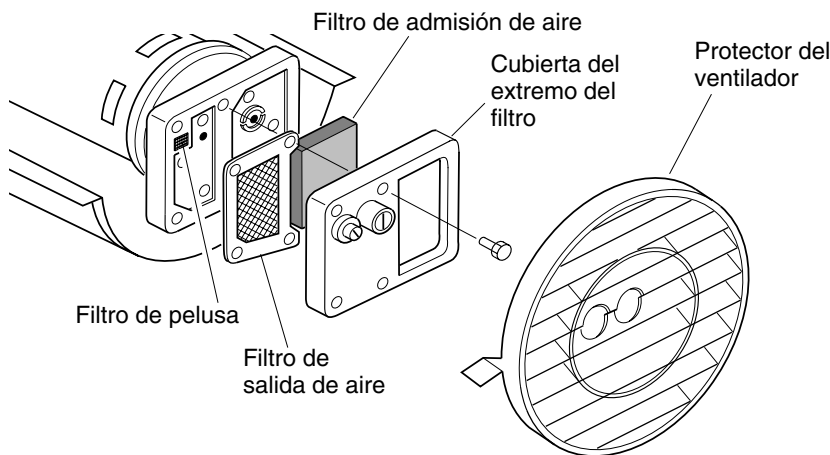
**IMPORTANTE:** No aceite los filtros.

#### Ajuste de la presión de la bomba

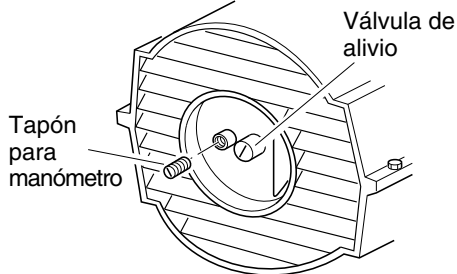
1. Quite el tapón para manómetro de la cubierta del extremo del filtro.
2. Instale el manómetro accesorio (No. de pieza HA1180).
3. Encienda el calentador (vea Funcionamiento, página 5). Permita que el motor alcance su velocidad plena.
4. Ajuste la presión. Gire la válvula de alivio hacia la derecha para aumentar la presión. Gire la válvula de alivio hacia la izquierda para reducir la presión. Vea las especificaciones a la derecha para obtener la presión correcta para cada modelo.
5. Quite el manómetro. Vuelva a colocar el tapón para manómetro en la cubierta del extremo del filtro.



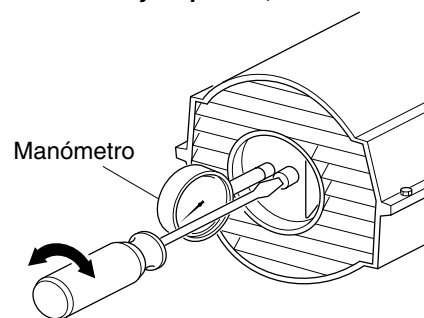
**Figura 16 - Filtros de salida de aire, de admisión de aire y de pelusa, modelos de 10,2/20,5 kW (35.000/70.000 Btu/hr)**



**Figura 17 - Filtros de salida de aire, de admisión de aire y de pelusa, modelos de 29,3/44 kW (100.000/150.000 Btu/hr)**



**Figura 18 - Remoción del tapón para manómetro**



**Figura 19 - Ajuste de la presión de la bomba**

(Se ilustran los modelos de 10,2/20,5 kW [35.000/70.000 Btu/hr])

Modelo	Presión de la bomba
10,2 kW (35.000 Btu/hr)	20,00 kPa (2,9 psi)
20,5 kW (70.000 Btu/hr)	26,2 kPa (3,8 psi)
29,3 kW (100.000 Btu/hr)	26,89 kPa (3,9 psi)
44 kW (150.000 Btu/hr)	33,10 kPa (4,8 psi)

# MANUAL DEL PROPIETARIO

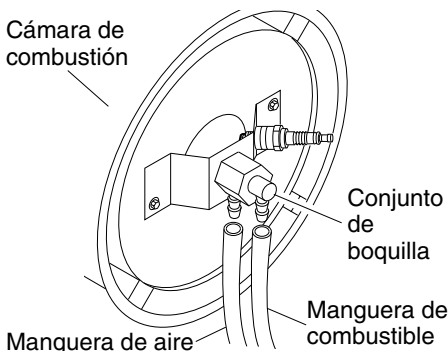
## PROCEDIMIENTOS DE SERVICIO

### Continuación

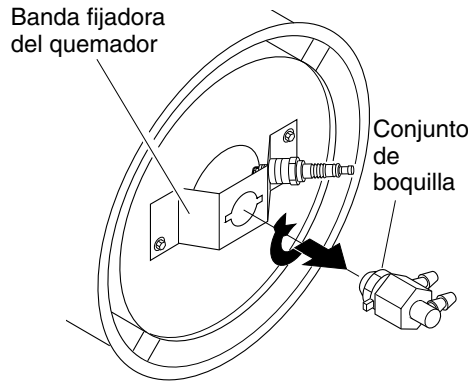
#### Boquilla

(Modelo de 10,2 kW [35.000 Btu/hr])

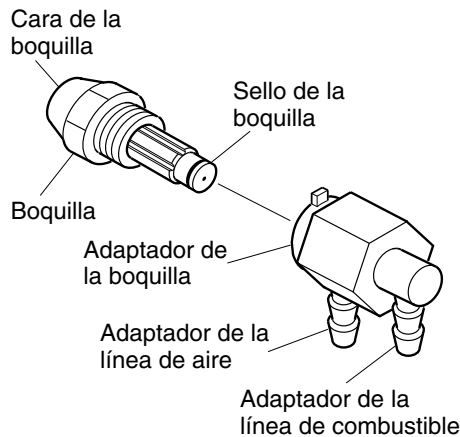
1. Quite el casco superior (vea la página 8).
2. Quite el ventilador (vea la página 13).
3. Quite las mangueras de las líneas de aire y de combustible del conjunto de la boquilla.
4. Gire el conjunto de la boquilla 1/4 de vuelta a la izquierda y tire hacia el motor para quitarlo.
5. Coloque el cuerpo hexagonal de plástico en una prensa y apretarla ligeramente.
6. Quite cuidadosamente la boquilla del adaptador usando una llave de casquillo de 5/8".
7. Sople aire comprimido por la cara de la boquilla. Esto despedirá la tierra de la zona de la boquilla.
8. Inspeccione el sello de la boquilla en busca de daños.
9. Vuelva a colocar la boquilla en el adaptador hasta que quede asentada. Apriétela 1/3 de vuelta adicional con una llave de casquillo de 5/8" (4,5-5,1 Nm [40-45 in.-lb]).
10. Sujete el conjunto de la boquilla a la banda fijadora del quemador.
11. Sujete las mangueras de las líneas de aire y de combustible al conjunto de la boquilla.
12. Vuelva a colocar el ventilador (vea la página 13).
13. Vuelva a colocar el protector del ventilador y el casco superior.



**Figura 20 - Remoción de las mangueras de las líneas de aire y combustible, modelo de 10,2 kW (35.000 Btu/hr)**



**Figura 21 - Remoción del conjunto de la boquilla, modelo de 10,2 kW (35.000 Btu/hr)**



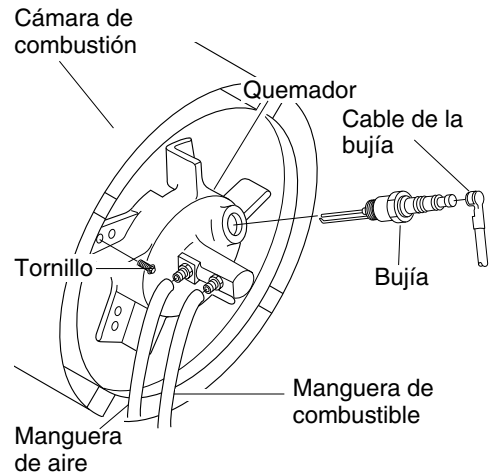
**Figura 22 - Boquilla y adaptador, modelo de 10,2kW (35.000 Btu/hr)**

#### Boquilla

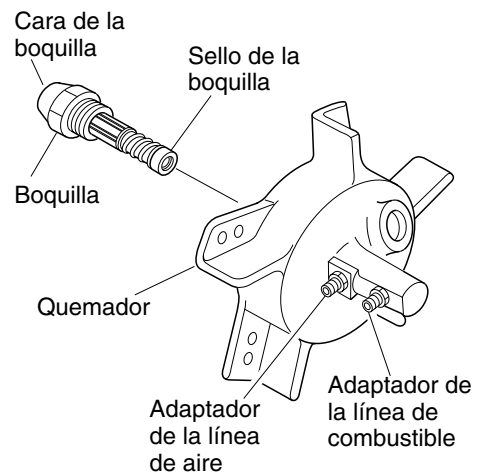
(Modelos de 20,5/29,3/44 kW [70.000/100.000/150.000 Btu/hr])

1. Quite el casco superior (vea la página 8).
2. Quite el ventilador (vea la página 13).
3. Quite las mangueras de las líneas de aire y de combustible del quemador.
4. Quite el cable de la bujía.
5. Quite la bujía del quemador con una llave de boca de 13/16".
6. Quite los tres tornillos con una llave de tuercas de 5/16" y quite el quemador de la cámara de combustión.
7. Coloque el quemador en una prensa y apretarla ligeramente.
8. Quite cuidadosamente la boquilla del quemador usando una llave de casquillo de 5/8" (vea la Figura 24).
9. Sople aire comprimido por la cara de la boquilla. Esto despedirá la tierra de la zona de la boquilla.

10. Inspeccione el sello de la boquilla en busca de daños.
11. Vuelva a colocar la boquilla en el quemador y apriétela firmemente (9,1-12,4 Nm [80-110 in.-lb]).
12. Sujete el quemador a la cámara de combustión.
13. Instale la bujía en el quemador.
14. Conecte el cable de la bujía.
15. Sujete las mangueras de las líneas de aire y de combustible al quemador.
16. Vuelva a colocar el ventilador (vea la página 13).
17. Vuelva a colocar el protector del ventilador y el casco superior.



**Figura 23 - Remoción del quemador, modelos de 20,5/29,3/44 kW (70.000/100.000/150.000 Btu/hr)**



**Figura 24 - Remoción de la boquilla, modelos de 20,5/29,3/44 kW (70.000/100.000/150.000 Btu/hr)**

Continúa

### PROCEDIMIENTOS DE SERVICIO

#### Continuación

#### Rotor de la bomba

##### (Procedimiento si el rotor se atasca)

1. Quite el casco superior (vea la página 8).
2. Quite los tornillos de la cubierta del extremo del filtro con una llave de tuercas de 5/16".
3. Quite la cubierta del extremo del filtro y los filtros de aire.
4. Quite los tornillos de la placa de la bomba con una llave de tuercas de 5/16".
5. Quite la placa de la bomba.
6. Quite el rotor, el inserto y las paletas.
7. Revise si hay suciedad en la bomba. Si hay suciedad, quítela con aire comprimido.
8. Instale el inserto y el rotor.
9. Verifique el espacio del rotor. Ajústelo a 0,076/0,101 mm (0,003/0,004 in.) si es necesario (vea la Figura 27).

**Nota:** Gire el rotor una vuelta completa para asegurarse que el espacio sea de 0,076/0,101 mm (0,003/0,004 in.) en la posición más apretada. Ajústelo si es necesario.

10. Instale las paletas, la placa de la bomba, los filtros de aire y la cubierta del extremo del filtro.
11. Vuelva a colocar el protector del ventilador y el casco superior.
12. Ajuste la presión de la bomba (vea la página 10).

**Nota:** Si el rotor aún se atasca, continúe de la siguiente manera.

13. Efectúe los pasos 1 al 6 arriba indicados.
14. Coloque un papel de lija fina (grano 600) en una superficie plana. Lije el rotor ligeramente siguiendo un movimiento en forma de "ocho" cuatro veces (vea la Figura 28).
15. Vuelva a instalar el inserto y el rotor.
16. Efectúe los pasos 10 al 12 arriba indicados.

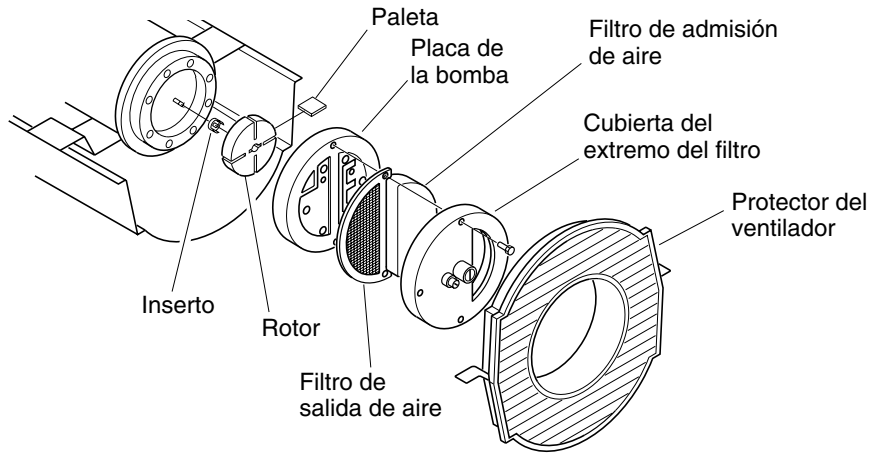


Figura 25 - Ubicación del rotor, modelos de 10,2/20,5 kW (35.000/70.000 Btu/hr)

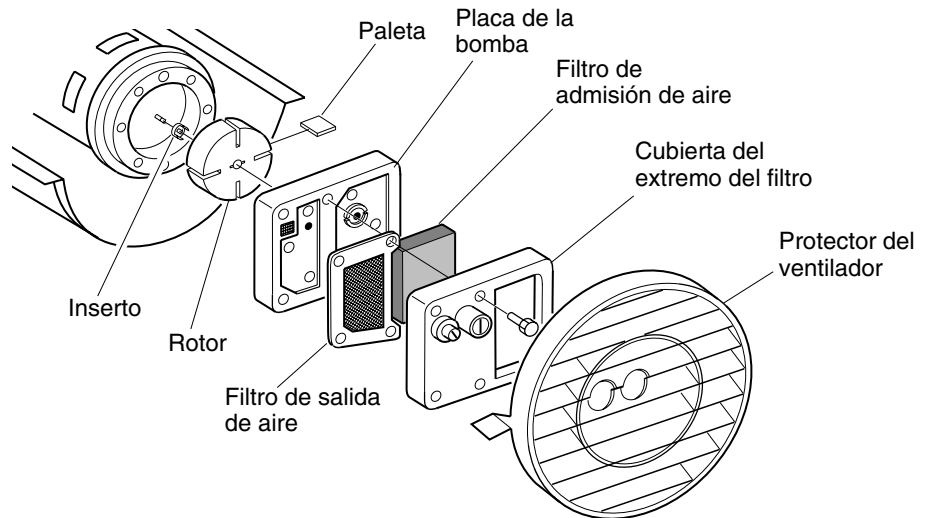


Figura 26 - Ubicación del rotor, modelos de 29,3/44 kW (100.000/150.000 Btu/hr)

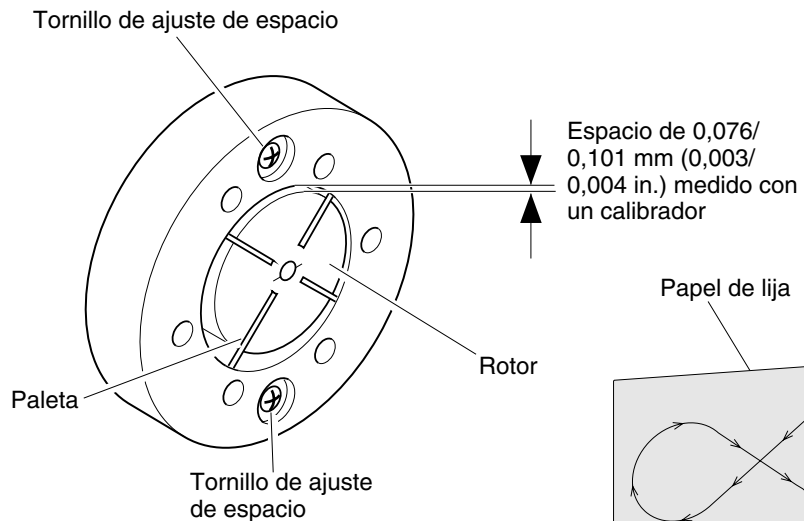


Figura 27 - Ubicaciones de tornillos de ajuste del espacio del rotor

Figura 28 - Lijado del rotor

# MANUAL DEL PROPIETARIO

## PROCEDIMIENTOS DE SERVICIO

### Continuación

#### Ventilador

**IMPORTANTE:** Quite el ventilador del eje del motor antes de quitar el motor del calentador. Si el peso del motor se apoya sobre el ventilador, se podría dañar el paso de las paletas del ventilador.

1. Quite el casco superior (vea la página 8).
2. Utilice una llave hexagonal de 1/8" para aflojar el tornillo de fijación que sujeta el ventilador al eje del motor.
3. Quite el ventilador del eje del motor.
4. Limpie el ventilador con un trapo suave humedecido en keroseno o solvente.
5. Seque el ventilador por completo.
6. Vuelva a colocar el ventilador en el eje del motor. Coloque el cubo del ventilador a ras con el extremo del eje del motor (vea la Figura 30).
7. Coloque el tornillo de fijación en la parte plana del eje. Apriete el tornillo de fijación firmemente (4,5-5,6 Nm [40-50 in.-lb]).
8. Vuelva a colocar el protector del ventilador y el casco superior.

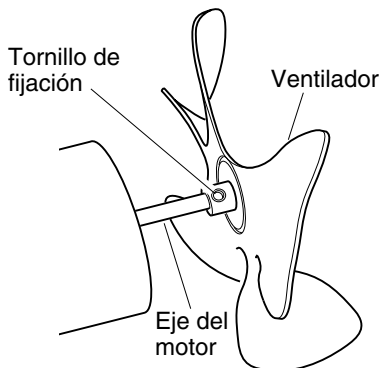


Figura 29 - Ubicación del ventilador, eje del motor y tornillo de fijación

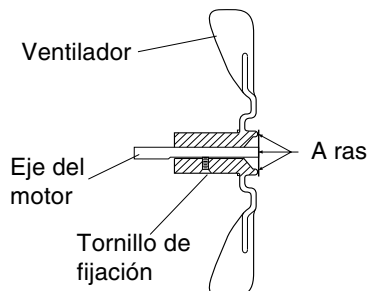


Figura 30 - Corte transversal del ventilador

## ESPECIFICACIONES

Salida nominal (kW)	10,2	20,5	29,3	44
(Btu/hr)	35.000	70.000	100.000	150.000
Combustible	Use sólo keroseno o fueloil No. 1.			
Capacidad del tanque de combustible (l/gal)	11,4/3,0	18,9/5,0	34/9,0	51,1/13,5
Consumo de combustible (litros por hora/gal por hora)	1,0/0,26	1,85/0,49	2,7/0,70	4,1/1,1
Requisitos eléctricos	230 V/50 Hz (Para todos los modelos)			
Amperaje (funcionamiento normal)	0,8	1,0	1,2	1,2
Salida de aire caliente (m <sup>3</sup> /min - ft <sup>3</sup> /min)	4/140	6,4/225	12/425	14,2/500
Velocidad (rpm)	1425	2850	2850	2850

## DIAGRAMAS DE ALAMBRADO

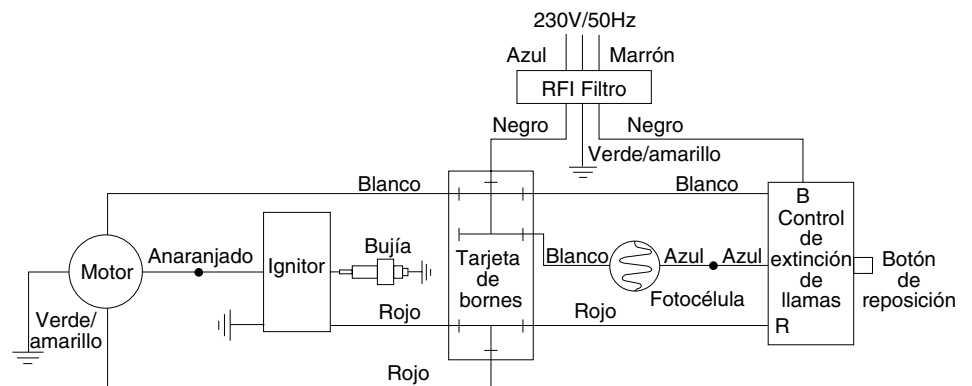


Figura 31 - Diagrama de alambrado, modelos de 10,2/29,3/44 kW (35.000/100.000/150.000 Btu/hr)

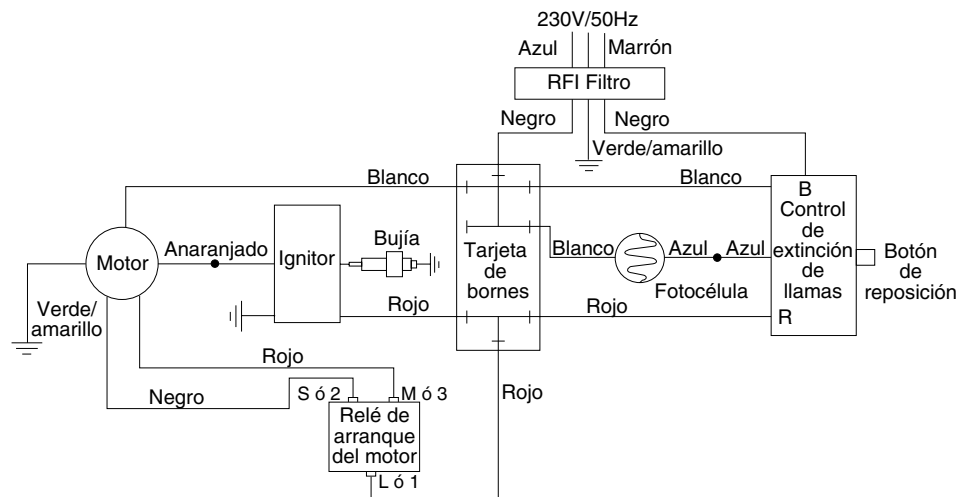


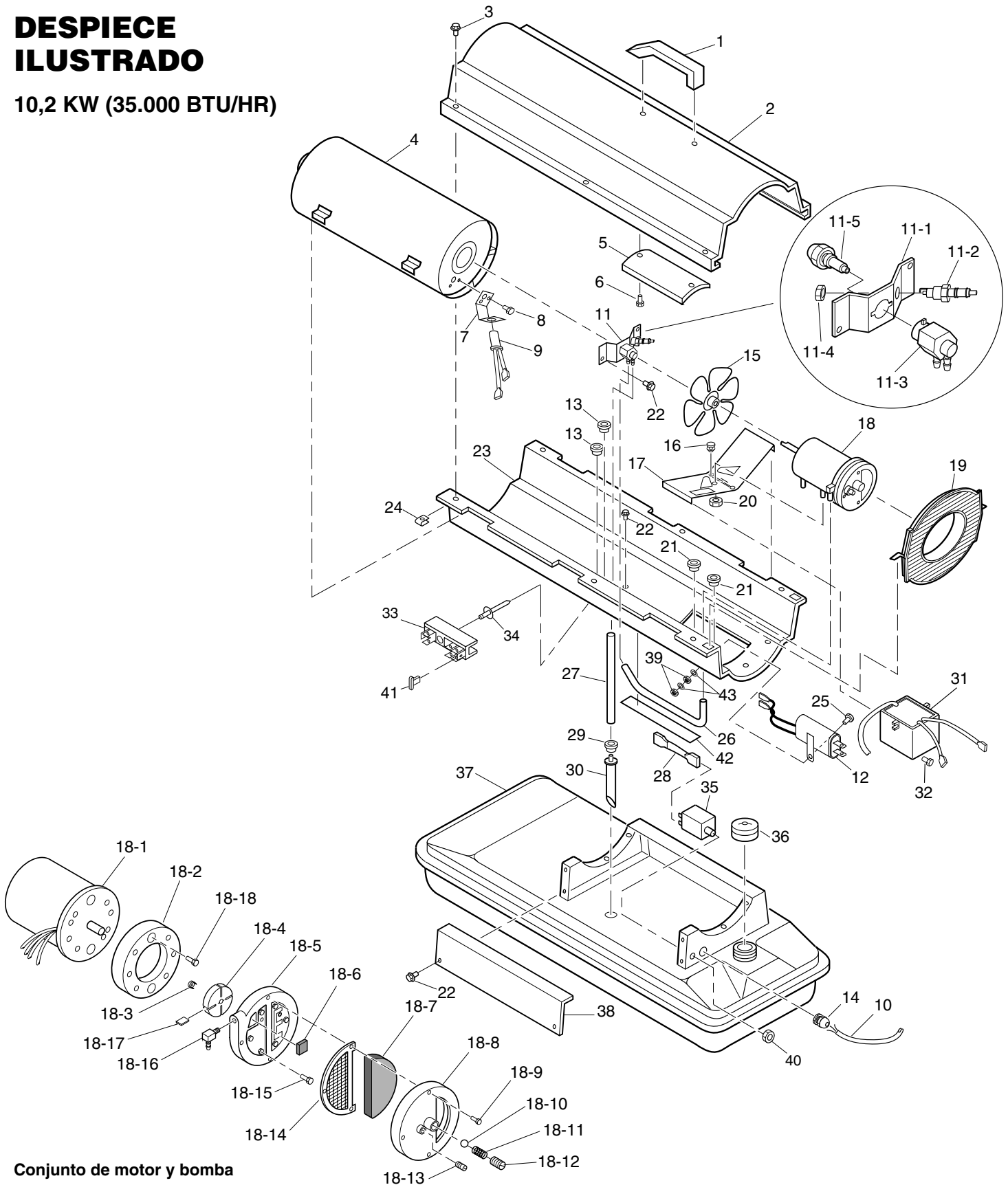
Figura 32 - Diagrama de alambrado, modelos de 20,5kW (70.000 Btu/hr)

# MASTER

## CALENTADORES PORTATILES DE AIRE FORZADO

### DESPIECE ILUSTRADO

10,2 KW (35.000 BTU/HR)



# MANUAL DEL PROPIETARIO

## LISTA DE PIEZAS

10,2 KW (35.000 BTU/HR)

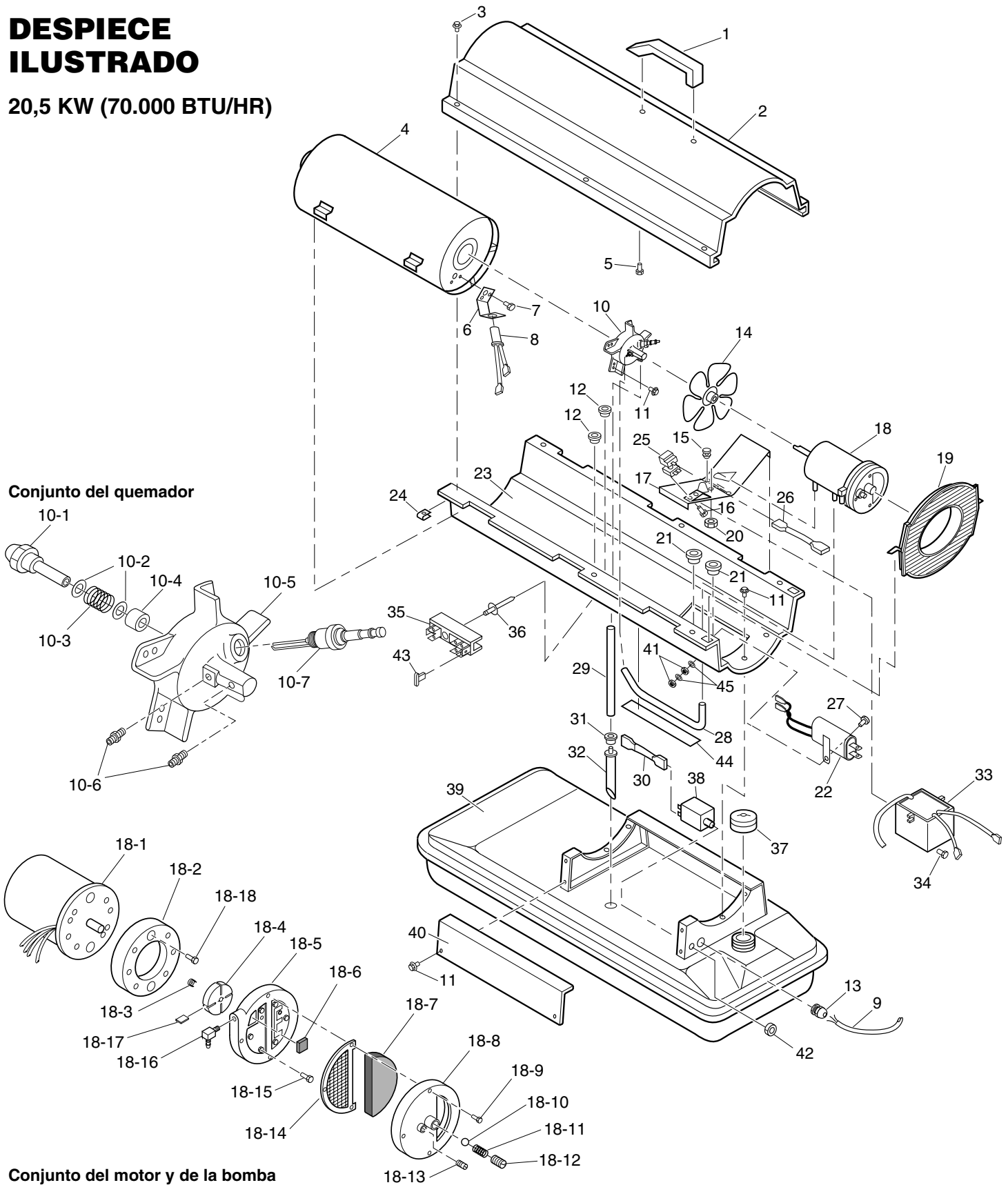
Esta lista contiene las piezas reemplazables del calentador. Al pedir repuestos, asegúrese de proporcionar el modelo y número de serie correctos (obtenidos de la chapa del número de modelo) y el número de pieza y descripción de la pieza deseada.

CLAVE	NO. PIEZA	DESCRIPCION	CANT.	CLAVE	NO. PIEZA	DESCRIPCION	CANT.
1	M51104-01	Asa	1	19	M51105-01	Protector del ventilador	1
2	098511-54	Casco superior	1	20	NTC-4C	Contratuerca hexagonal	2
3	102432-01	Tornillo arandela de seguridad 1/2"	6	21	M50104-02	Buje (alambres)	2
4	098512-43	Cámara de combustión	1	22	102431-01	Tornillo arandela de seguridad 1/2"	10
5	M51108-01	Escudo térmico	1	23	098511-12	Casco inferior	1
6	M11084-29	Tornillo, #10-16 x 3/4"	2	24	M11271-8	Tuerca de presilla	6
7	M16660	Soporte de fotocélula	1	25	RF3-6B	Tornillo, #10-32 X 3/4"	1
8	M10908-2	Tornillo, #6-32 x 3/8"	2	26	M29652-04	Línea de aire de caucho	1
9	HA3019	Conjunto de fotocélula	1	27	M29652-05	Línea de combustible	1
10	079673-06	Cordón eléctrico	1	28	M16841-57	Conjunto de alambre (rojo 8-1/2")	1
11	**	Conjunto de banda fijadora del quemador	1	29	M10990-3	Buje de caucho	1
11-1	097124-01	Soporte	1	30	M50876-04	Conjunto del filtro de combustible (Incluye el buje)	1
11-2	HA3013	Bujía	1	31	102482-02	Ignitor electrónico	1
11-3	079980-01	Adaptador de la boquilla	1	32	M11084-29	Tornillo, #10-16 x 3/4"	2
11-4	M29824	Tuerca, 14mm	1	33	099125-02	Tarjeta de bornes	1
11-5	HA3006	Boquilla	1	34	099157-01	Remache	1
12	102801-01	RFI Filtro	1	35	097630-02	Control de extinción de llamas	1
13	M30865-02	Buje	2	36	097702-01	Tapa del tanque de combustible	1
14	M50400	Buje de alivio	1	37	098513-73	Tanque de combustible	1
15	M30884	Ventilador	1	38	M50899-03AA	Cubierta lateral	1
16	M50631	Parachoques de caucho	2	39	NPF-3B	Tuerca, #10-32	3
17	101205-01	Soporte del motor	1	40	099177-01	Tuerca hexagonal	1
18	**	Conjunto de motor y bomba	1	41	078918-01	Tapa de lengüeta de tarjeta de bornes	1
18-1	098642-02	Motor (230V/50Hz)	1	42	097785-01	Empaquetadura de espuma de vinilo	1
18-2	079975-03	Cuerpo de la bomba	1	43	WLE-3	Arandela, #10 Cerradura	2
18-3	M22009	Inserto	1	<b>PIEZAS DISPONIBLES - NO ILUSTRADAS</b>			
18-4	M22456-2	Rotor	1		HA2210	Tamiz del cuello de llenado	1
18-5	M29608	Cubierta de extremo de bomba	1		097649-01	Etiqueta de nombre comercial	2
18-6	M29632	Filtro de pelusa	1		M9900-192	Alambre de puesta a tierra de la cámara de combustión	1
18-7	M29633	Filtro de admisión	1		102944-01	Calcomanía paquete	1
18-8	M29609	Cubierta de extremo del filtro	1				
18-9	M12461-31	Tornillo, #10-32 x 1"	3				
18-10	M8940	Bola de acero (diám. 1/4")	1				
18-11	M10993-1	Resorte de alivio de presión	1				
18-12	M27694	Tornillo de ajuste	1				
18-13	M22997	Tapón	1				
18-14	M29612-01	Filtro de salida	1				
18-15	M12461-32	Tornillo, #10-32 x 1 1/8"	6				
18-16	M50016	Codo de 90° (adaptador de punta)	1				
18-17	M8643-2	Paleta	4				
18-18	FHPF3-6C	Tornillo, #10-32 x 3/4"	2				

\*\*No disponible como conjunto, pida las piezas por separado.

### DESPIECE ILUSTRADO

20,5 KW (70.000 BTU/HR)





# MANUAL DEL PROPIETARIO

## LISTA DE PIEZAS

20,5 KW (70.000 BTU/HR)

Esta lista contiene las piezas reemplazables del calentador. Al pedir repuestos, asegúrese de proporcionar el modelo y número de serie correctos (obtenidos de la chapa del número de modelo) y el número de pieza y descripción de la pieza deseada.

CLAVE	NO. PIEZA	DESCRIPCION	CANT.	CLAVE	NO. PIEZA	DESCRIPCION	CANT.
1	M51104-01	Asa	1	19	M51105-01	Protector del ventilador	1
2	098511-54	Casco superior	1	20	NTC-4C	Contratuerca hexagonal	2
3	102432-01	Tornillo arandela de seguridad 1/2"	6	21	M50104-02	Buje (alambres)	2
4	098512-44	Cámara de combustión	1	22	102801-01	RFI Filtro	1
5	M11084-29	Tornillo, #10-16 x 3/4"	2	23	098511-12	Casco inferior	1
6	M16660	Soporte de fotocélula	1	24	M11271-8	Tuerca de presilla	6
7	M10908-2	Tornillo, #6-32 x 3/8"	2	25	098136-05	Relé (arranque del motor)	1
8	HA3019	Conjunto de fotocélula	1	26	M16841-58	Conjunto de alambre (rojo 9-1/2")	1
9	079673-06	Cordón eléctrico	1	27	RF3-6B	Tornillo, #10-32 x 3/4"	1
10	**	Conjunto del quemador	1	28	M29652-04	Línea de aire de caucho	1
10-1	HA3008	Boquilla	1	29	079973-01	Línea de combustible	1
10-2	M10659-1	Arandela del sello de la boquilla	2	30	M16841-57	Conjunto de alambre (rojo 8-1/2")	1
10-3	M10809-1	Resorte del sello de la boquilla	1	31	M10990-3	Buje de caucho	1
10-4	M8882	Manguito del sello de la boquilla	1	32	M50876-05	Conjunto del filtro de combustible (Incluye el buje)	1
10-5	M51098-02	Quemador	1	33	102482-02	Ignitor electrónico	1
10-6	M50820-01	Adaptador de punta	2	34	M11084-29	Tornillo, #10-16 x 3/4"	2
10-7	HA3012	Bujía	1	35	099125-02	Tarjeta de bornes	1
11	102431-01	Tornillo arandela de seguridad 1/2"	11	36	099157-01	Remache	1
12	M30865-02	Buje	2	37	097702-01	Tapa del tanque de combustible	1
13	M50400	Buje de alivio	1	38	097630-02	Control de extinción de llamas	1
14	M30884	Ventilador	1	39	098513-74	Tanque de combustible	1
15	M50631	Parachoques de caucho	2	40	M50899-03AA	Cubierta lateral	1
16	M12461-13	Tornillo, #8-32 x 1/4" (sujeta el relé en posición)	2	41	NPF-3B	Tuerca, #10-32	3
17	101205-01	Soporte del motor y relé	1	42	099177-01	Tuerca hexagonal	1
18	**	Conjunto de motor y bomba	1	43	078918-01	Tapa de lengüeta de tarjeta de bornes	1
18-1	102001-16	Motor (230V/50Hz)	1	44	097785-01	Empaquetadura de espuma de vinilo	1
18-2	079975-02	Cuerpo de la bomba	1	45	WLE-3	Arandela, #10 Cerradura	2
18-3	M22009	Inserto	1	<b>PIEZAS DISPONIBLES - NO ILUSTRADAS</b>			
18-4	M22456-1	Rotor	1				
18-5	M29608	Cubierta de extremo de bomba	1		HA2210	Tamiz del cuello de llenado	1
18-6	M29632	Filtro de pelusa	1		097649-01	Etiqueta de nombre comercial	2
18-7	M29633	Filtro de admisión	1		M9900-192	Alambre de puesta a tierra de la cámara de combustión	1
18-8	M29609	Cubierta de extremo del filtro	1		102944-02	Calcomanía paquete	1
18-9	M12461-31	Tornillo, #10-32 x 1"	3				
18-10	M8940	Bola de acero (diám. 1/4")	1				
18-11	M10993-1	Resorte de alivio de presión	1				
18-12	M27694	Tornillo de ajuste	1				
18-13	M22997	Tapón	1				
18-14	M29612-01	Filtro de salida	1				
18-15	M12461-31	Tornillo, #10-32 x 1"	6				
18-16	M50016	Codo de 90° (adaptador de punta)	1				
18-17	M8643	Paleta	4				
18-18	FHPF3-5C	Tornillo, #10-32 x 5/8"	2				

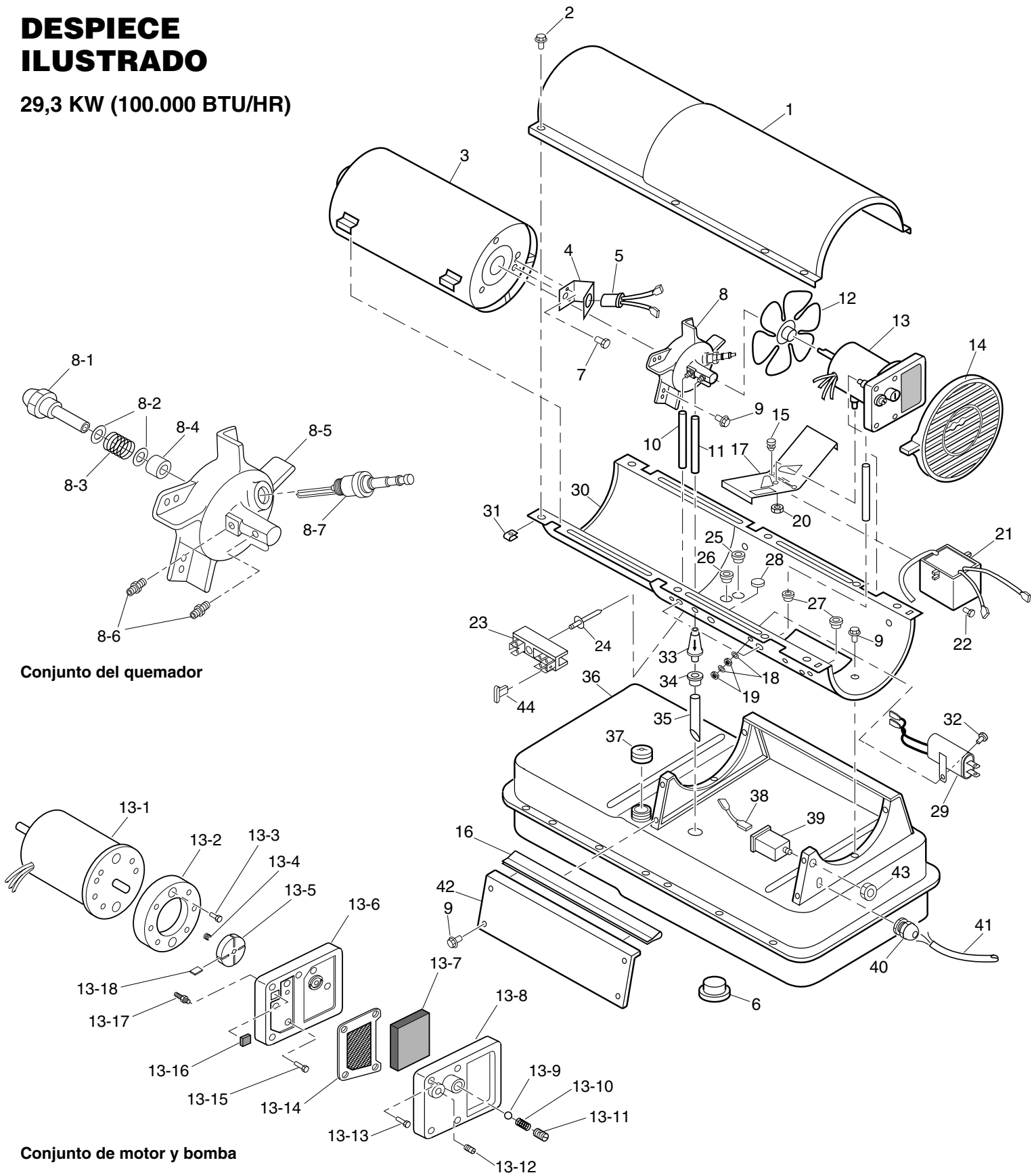
\*\*No disponible como conjunto, pida las piezas por separado.

# MASTER

## CALENTADORES PORTATILES DE AIRE FORZADO

### DESPIECE ILUSTRADO

29,3 KW (100.000 BTU/HR)



Conjunto del quemador

Conjunto de motor y bomba

# MANUAL DEL PROPIETARIO

## LISTA DE PIEZAS

29,3 KW (100.000 BTU/HR)

Esta lista contiene las piezas reemplazables del calentador. Al pedir repuestos, asegúrese de proporcionar el modelo y número de serie correctos (obtenidos de la chapa del número de modelo) y el número de pieza y descripción de la pieza deseada.

CLAVE	NO. PIEZA	DESCRIPCION	CANT.	CLAVE	NO. PIEZA	DESCRIPCION	CANT.
1	098511-138	Casco superior	1	15	M50631	Parachosques de caucho	2
2	102432-01	Tornillo arandela de seguridad 1/2"	8	16	097468-01	Forro de borde	1
3	098512-31	Cámara de combustión	1	17	101206-01	Soporte del motor y relé	1
4	M16660	Soporte de fotocélula	1	18	WLE-3	Arandela #10 cerradura	2
5	HA3019	Conjunto de fotocélula	1	19	NPF-3B	Tuerca, #10-32	3
6	M27417	Tapón de vaciado	1	20	NTC-4C	Contratuerca hexagonal	2
7	M10908-2	Tornillo, #6-32 x 3/8"	2	21	102482-02	Ignitor electrónico	1
8	**	Conjunto del quemador	1	22	M11084-29	Tornillo, #10-16 x 3/4"	2
8-1	100735-15	Boquilla	1	23	099125-02	Tarjeta de bornes	1
8-2	M10659-1	Arandela del sello de la boquilla	2	24	099157-01	Remache	1
8-3	M10809-1	Resorte del sello de la boquilla	1	25	M50104-03	Buje	1
8-4	M8882	Manguito del sello de la boquilla	1	26	M50104-03	Buje	1
8-5	M50924-03	Cuerpo del quemador	1	27	M50104-01	Buje	2
8-6	M50820-02	Adaptador de punta	2	28	099213-01	Tapón de botón	1
8-7	HA3012	Bujía	1	29	102801-01	RFI Filtro	1
9	102431-01	Tornillo arandela de seguridad 1/2"	13	30	098511-191	Casco inferior	1
10	M50814-06	Línea de aire	1	31	M11271-8	Tuerca de presilla	8
11	M51345-01	Línea de combustible	1	32	RF3-6B	Tornillo, #10-32 x 3/4"	1
12	102042-01	Ventilador	1	33	M51150-01	Filtro de combustible	1
13	**	Conjunto de motor y bomba	1	34	M10990-3	Buje de caucho	1
13-1	102001-03	Motor (230V/50Hz)	1	35	M51151-01	Línea de combustible	1
13-2	079975-02	Cuerpo de la bomba	1	36	098513-75	Tanque de combustible	1
13-3	FHPF3-5C	Tornillo, #10-32 x 5/8"	2	37	097702-01	Tapa del tanque de combustible	1
13-4	M22009	Inserto	1	38	M16841-57	Conjunto de alambre (rojo 8-1/2")	1
13-5	M22456-1	Rotor	1	39	097630-02	Control de extinción de llamas	1
13-6	M50545	Cubierta de extremo de bomba	1	40	M50400	Buje de alivio	1
13-7	M12179	Filtro de admisión	1	41	079673-06	Cordón eléctrico	1
13-8	M16545	Cubierta de extremo del filtro	1	42	M51077-01AA	Cubierta lateral	1
13-9	M8940	Bola de acero (diám. 1/4")	1	43	099177-01	Tuerca hexagonal	1
13-10	M10993-1	Resorte de alivio de presión	1	44	078918-01	Tapa de lengüeta de tarjeta de bornes	1
13-11	M27694	Tornillo de ajuste	1				
13-12	M22997	Tapón	1				
13-13	M12461-31	Tornillo, #10-32 x 1"	4	<b>PIEZAS DISPONIBLES - NO ILUSTRADAS</b>			
13-14	M12244-1	Filtro de salida	1				
13-15	M12461-31	Tornillo, #10-32 x 1"	6		HA2210	Tamiz del cuello de llenado	1
13-16	M11637	Filtro de pelusa	1		097650-01	Etiqueta de nombre comercial	2
13-17	M50820-02	Adaptador de punta	1		M9900-192	Alambre de puesta a tierra de la cámara de combustión	1
13-18	M8643	Paleta	4				
14	M51114-01	Protector del ventilador	1		102944-03	Calcomanía paquete	1

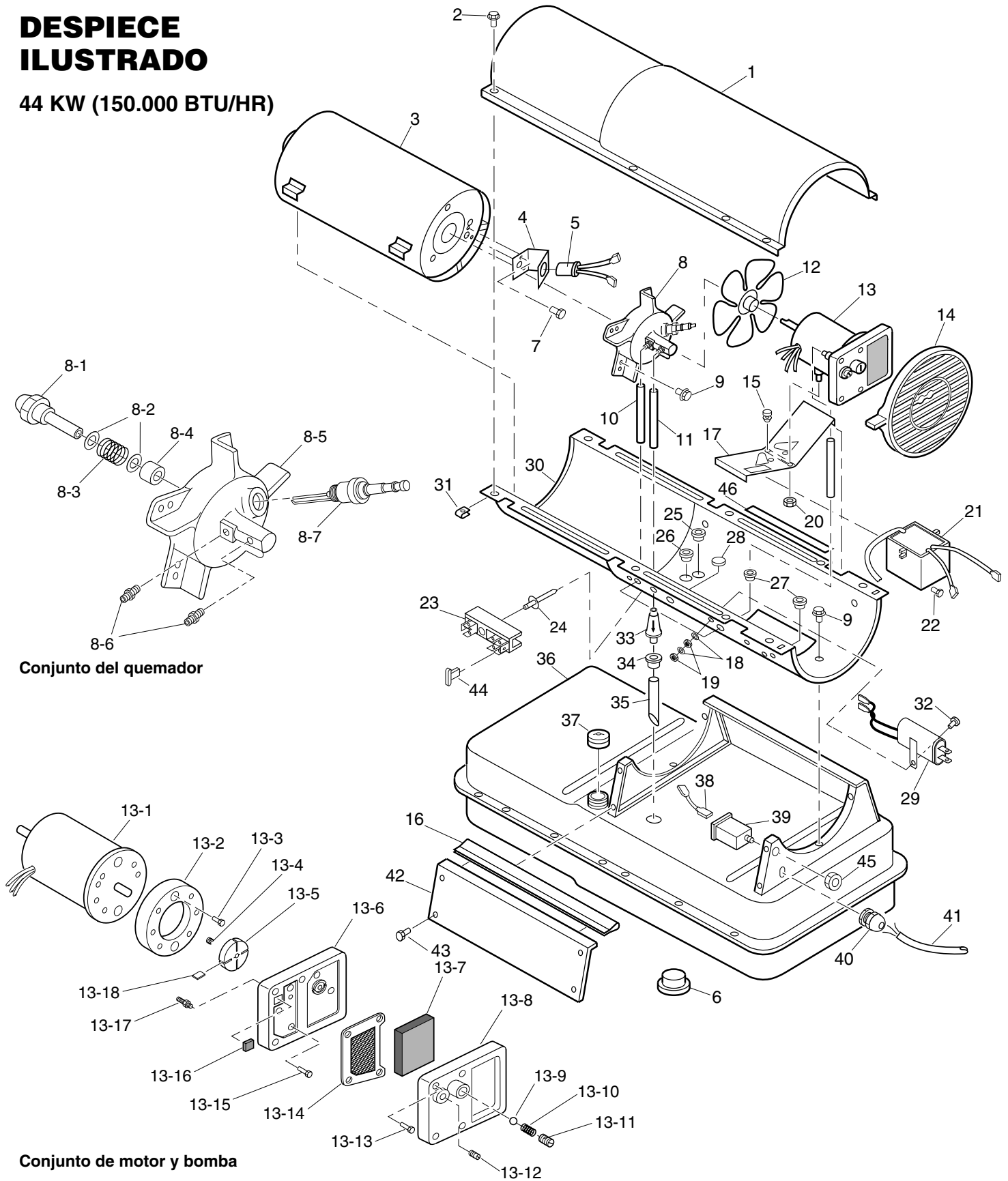
\*\*No disponible como conjunto, pida las piezas por separado.

# MASTER

## CALENTADORES PORTATILES DE AIRE FORZADO

### DESPIECE ILUSTRADO

44 KW (150.000 BTU/HR)



# MANUAL DEL PROPIETARIO

## LISTA DE PIEZAS

44 KW (150.000 BTU/HR)

Esta lista contiene las piezas reemplazables del calentador. Al pedir repuestos, asegúrese de proporcionar el modelo y número de serie correctos (obtenidos de la chapa del número de modelo) y el número de pieza y descripción de la pieza deseada.

CLAVE	NO. PIEZA	DESCRIPCION	CANT.	CLAVE	NO. PIEZA	DESCRIPCION	CANT.
1	098511-138	Casco superior	1	17	101206-01	Soporte del motor	1
2	102432-01	Tornillo arandela de seguridad 1/2"	8	18	WLE-3	Arandela, #10 Cerradura	2
3	098512-36	Cámara de combustión	1	19	NPF-3B	Tuerca, #10-32	3
4	099229-01	Soporte de fotocélula	1	20	NTC-4C	Contratuercas hexagonales	2
5	HA3019	Conjunto de fotocélula	1	21	102482-02	Ignitor electrónico	1
6	M27417	Tapón de vaciado	1	22	M11084-29	Tornillo, #10-16 x 3/4"	2
7	M10908-2	Tornillo, #6-32 x 3/8"	2	23	099125-02	Tarjeta de bornes	1
8	**	Conjunto del quemador	1	24	099157-01	Remache	1
8-1	100735-11	Boquilla	1	25	M50104-03	Buje	1
8-2	M10659-1	Arandela del sello de la boquilla	2	26	M50104-03	Buje	1
8-3	M10809-1	Resorte del sello de la boquilla	1	27	M50104-01	Buje	2
8-4	M8882	Manguito del sello de la boquilla	1	28	099213-01	Tapón de botón	1
8-5	M50924-08	Cuerpo del quemador	1	29	102801-01	RFI Filtro	1
8-6	M50820-02	Adaptador de punta	2	30	098511-191	Casco inferior	1
8-7	HA3012	Bujía	1	31	M11271-8	Tuerca de presilla	8
9	102431-01	Tornillo arandela de seguridad 1/2"	9	32	RF3-6B	Tornillo, #10-32 x 3/4"	1
10	M50814-06	Línea de aire	1	33	M51150-01	Filtro de combustible	1
11	M51345-01	Línea de combustible	1	34	M10990-3	Buje de caucho	1
12	102042-01	Ventilador	1	35	M51151-02	Línea de combustible	1
13	**	Conjunto de motor y bomba	1	36	098513-76	Tanque de combustible	1
13-1	102001-03	Motor (230V/50Hz)	1	37	097702-01	Tapa del tanque de combustible	1
13-2	079975-03	Cuerpo de la bomba	1	38	M16841-57	Conjunto de alambre (rojo 8-1/2")	1
13-3	FHPF3-6C	Tornillo, #10-32 x 3/4"	2	39	097630-02	Control de extinción de llamas	1
13-4	M22009	Inserto	1	40	M50400	Buje de alivio	1
13-5	M22456-2	Rotor	1	41	079673-06	Cordón eléctrico -	1
13-6	M50545	Cubierta de extremo de bomba	1	42	M51077-01AA	Cubierta lateral	1
13-7	M12179	Filtro de admisión	1	43	M11084-27	Tornillo, #10-16 x 1/2"	4
13-8	M16545	Cubierta de extremo del filtro	1	44	078918-01	Tapa de lengüeta de tarjeta de bornes	1
13-9	M8940	Bola de acero (diám. 1/4")	1	45	099177-01	Tuerca hexagonal	1
13-10	M10993-1	Resorte de alivio de presión	1	46	097785-04	Empaquetadura de espuma de vinilo	2
13-11	M27694	Tornillo de ajuste	1				
13-12	M22997	Tapón	1				
13-13	M12461-31	Tornillo, #10-32 x 1"	4				
13-14	M12244-1	Filtro de salida	1				
13-15	M12461-32	Tornillo, #10-32 x 1 1/8"	6				
13-16	M11637	Filtro de pelusa	1				
13-17	M50820-02	Adaptador de punta	1				
13-18	M8643-2	Paleta	4				
14	M51114-01	Protector del ventilador	1				
15	M50631	Parachoques de caucho	2				
16	097468-01	Forro de borde	1				
<b>PIEZAS DISPONIBLES - NO ILUSTRADAS</b>							
					HA2210	Tamiz del cuello de llenado	1
					097650-01	Etiqueta de nombre comercial	2
					M9900-192	Alambre de puesta a tierra de la cámara de combustión	1
					102944-04	Calcomanía paquete	1

\*\*No disponible como conjunto, pida las piezas por separado.

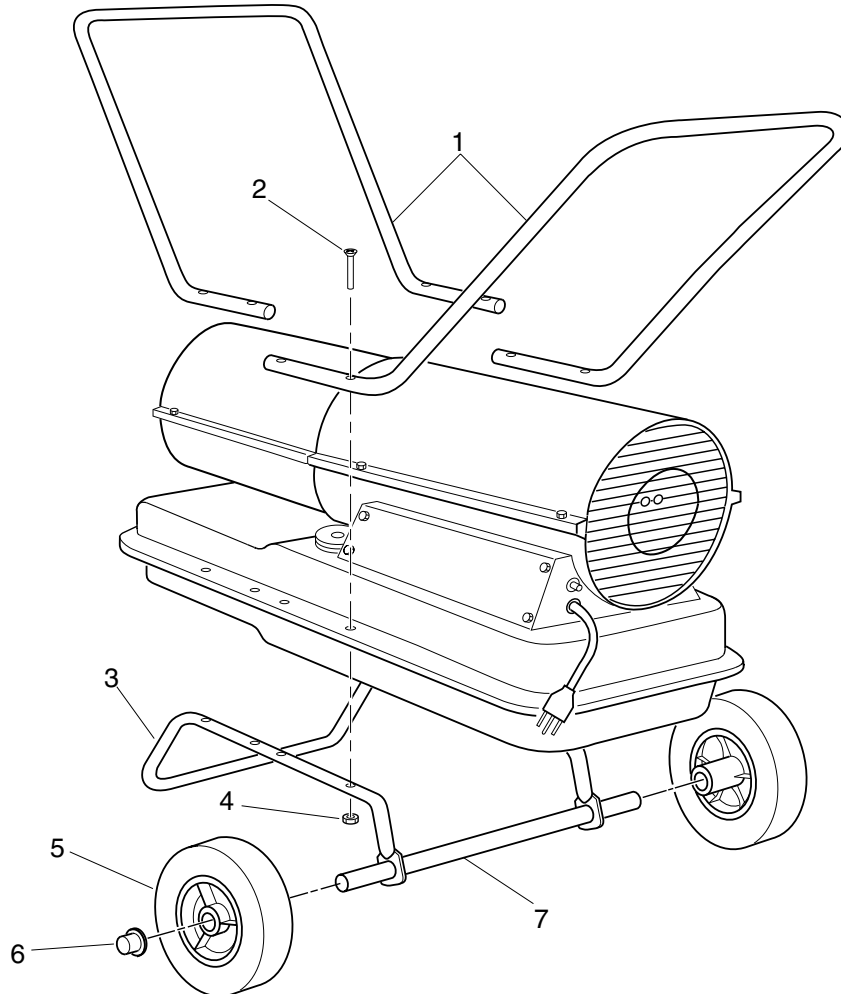
# MASTER

## CALENTADORES PORTATILES DE AIRE FORZADO

### RUEDAS Y ASAS PARA MODELOS DE

29,3 Y 44 KW (100.000 Y  
150.000 BTU/HR)

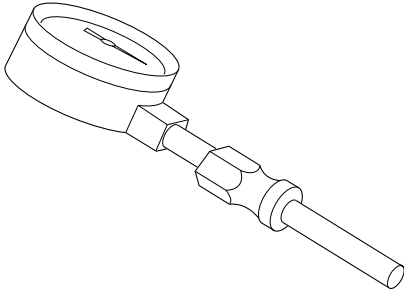
CLAVE	NO. PIEZA	DESCRIPCION	CANT. 29,3 kW (100.000)	CANT. 44 kW (150.000)
1	HA2203	Asas	2	—
	HA2204	Asas	—	2
2	M12345-33	Tornillo, #10-24 x 1 3/4"	8	8
3	M12342-3	Bastidor de soporte de las ruedas	1	—
	M12831-3	Bastidor de soporte de las ruedas	—	1
4	NTC-3C	Tuerca hexagonal, #10-24	8	8
5	097896-03	Rueda	2	2
6	M28526	Tuerca ciega	2	2
7	M51015-01	Eje	1	—
	M16801-2	Eje	—	1



# MANUAL DEL PROPIETARIO

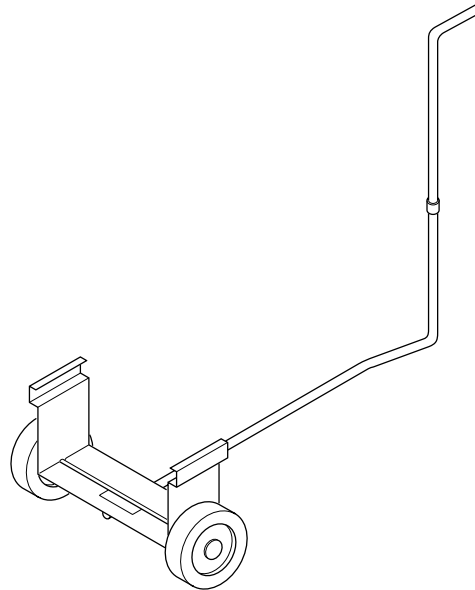
## ACCESORIOS

Obtenga los accesorios a través del concesionario en su localidad.



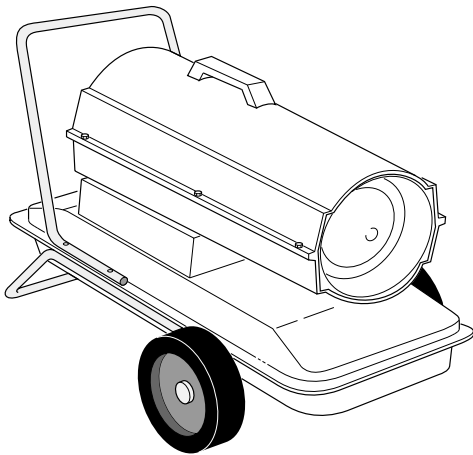
### MANOMETRO DE AIRE - HA1180

Para todos los modelos. Herramienta especial para comprobar la presión de la bomba.



### JUEGO DE RUEDAS Y AGARRADERAS ESTANDAR - HA1206

Incrementa la portabilidad y comodidad de manejo del calentador. Fácil de armar. Para modelos de 10,2/20,5 kW (35.000 a 70.000 Btu/Hr).



### JUEGO DE RUEDAS Y ASA DE SERVICIO SEVERO - HA1202

Para aplicaciones de servicio severo. Hace el calentador más portátil y conveniente. Para los modelos de 10,2/20,5 kW (35.000/70.000 Btu/hr)

# GARANTIA Y REPARACIONES

## CERTIFICADO DE GARANTIA LIMITADA DE 90 DIAS PARA EQUIPO GENERAL

DESA International garantiza que los productos nuevos que vende carecen de defectos en el material y fabricación por un período de noventa días a partir de la fecha de entrega al primer usuario y sujeto a las condiciones siguientes:

Las obligaciones y responsabilidades de DESA International bajo esta garantía se limitan expresamente a la reparación o el reemplazo a discreción de DESA International de los componentes que a juicio de DESA International y posterior a la inspección tenían defectos de material o fabricación al ser despachados de la fábrica. Tales componentes serán suministrados sin costo al usuario, al establecimiento comercial o a un centro de servicio autorizado por la fábrica o fábrica durante horas regulares de trabajo. La garantía no cubre los componentes o accesorios de productos no fabricados por DESA International, los cuales se encuentran amparados por garantías de sus fabricantes respectivos, ni cubre el mantenimiento normal (tal como los ajustes de presión) ni los repuestos normales (tales como filtros y bujías). Las piezas de repuesto o reparación instaladas en el producto amparado bajo esta garantía se garantizan únicamente por la porción restante del período de la presente garantía, como si tales fueran componentes originales de dicho producto. DESA INTERNATIONAL NO OFRECE NINGUNA GARANTIA EXPRESA ADICIONAL. HASTA EL PUNTO QUE ESTABLECE LA LEY, DESA INTERNATIONAL NO OFRECE GARANTIA IMPLICITA ALGUNA Y NO GARANTIZA LA IDONEIDAD NI LA

COMERCIABILIDAD DE ESTE PRODUCTO PARA ALGUN PROPOSITO ESPECIFICO. EN TODO CASO, LAS GARANTIAS IMPLICITAS, INCLUYENDOLAS DE COMERCIABILIDAD E IDONEIDAD PARA UN PROPOSITO ESPECIFICO, SE LIMITAN A LA DURACION DE LA PRESENTE GARANTIA EXPRESA.

Los costos de transporte, costos de instalación, honorarios, impuestos u otros recargos correrán por cuenta del usuario. La obligación de DESA International bajo esta garantía limitada no incluye responsabilidad por daños o retrasos directos, indirectos, fortuitos o consecuentes. Si DESA International así lo solicita, los productos sobre los cuales se efectúe algún reclamo deberán ser devueltos, a flete pagado por el usuario, a la fábrica. El uso indebido de este producto, incluyendo su uso después del descubrimiento de piezas defectuosas o desgastadas, el uso más allá de la capacidad, la sustitución de piezas por componentes no aprobados por DESA International o cualquier otra alteración o reparación por terceros que a juicio de DESA International afecte este producto de forma material y adversa, anulará la presente garantía.

NINGUN EMPLEADO O REPRESENTANTE CUENTA CON LA AUTORIDAD PARA ALTERAR ESTA GARANTIA EN MODO ALGUNO NI PARA OTORGAR GARANTIAS ADICIONALES A MENOS QUE TAL ALTERACION SE HAGA POR ESCRITO Y SEA FIRMADA POR UN OFICIAL EN LA CASA MATRIZ DE DESA INTERNATIONAL.

### SERVICIO DE GARANTIA

Siempre especifique los números de modelo y de serie al comunicarse con la fábrica.

Nos reservamos el derecho de enmendar estas ESPECIFICACIONES en cualquier momento y sin previo aviso. La única garantía aplicable al producto es nuestra garantía estándar dada por escrito. No se ofrece ninguna garantía adicional, ni expresa ni implícita.

Se puede obtener un Manual de servicio solicitándolo por correspondencia al Departamento de servicios técnicos a la dirección siguiente:

**DESA**  
**INTERNATIONAL**  
Corporate Headquarters

2701 Industrial Drive  
P.O. Box 90004  
Bowling Green, Kentucky 42102-9004 EE.UU.